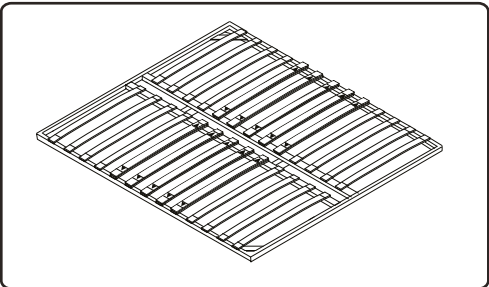
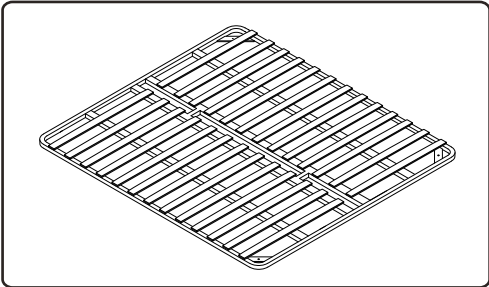


# 905

**180 x 200** 2110 x 2100 x 1520 mm



**BEMONDI**

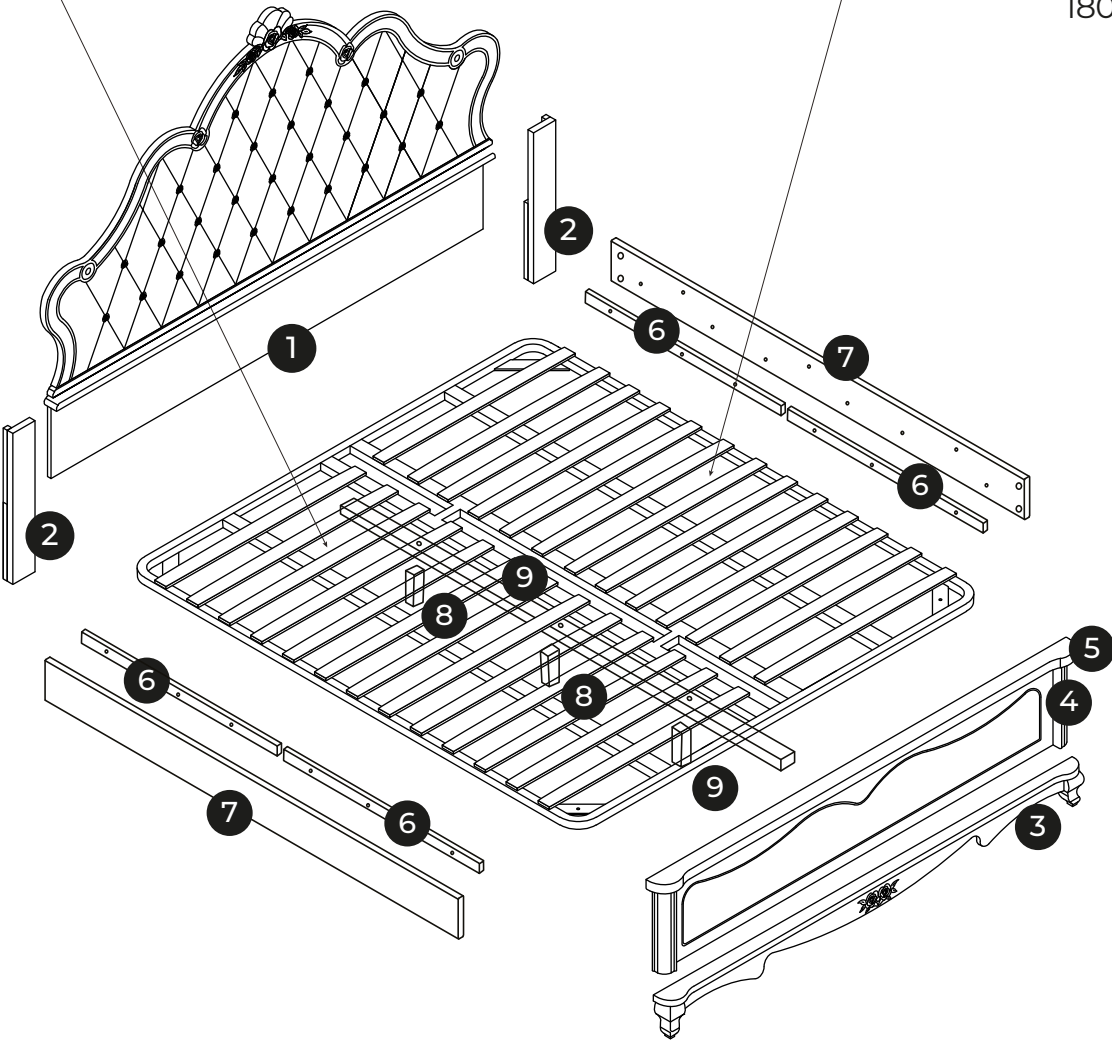


**BED BASE**

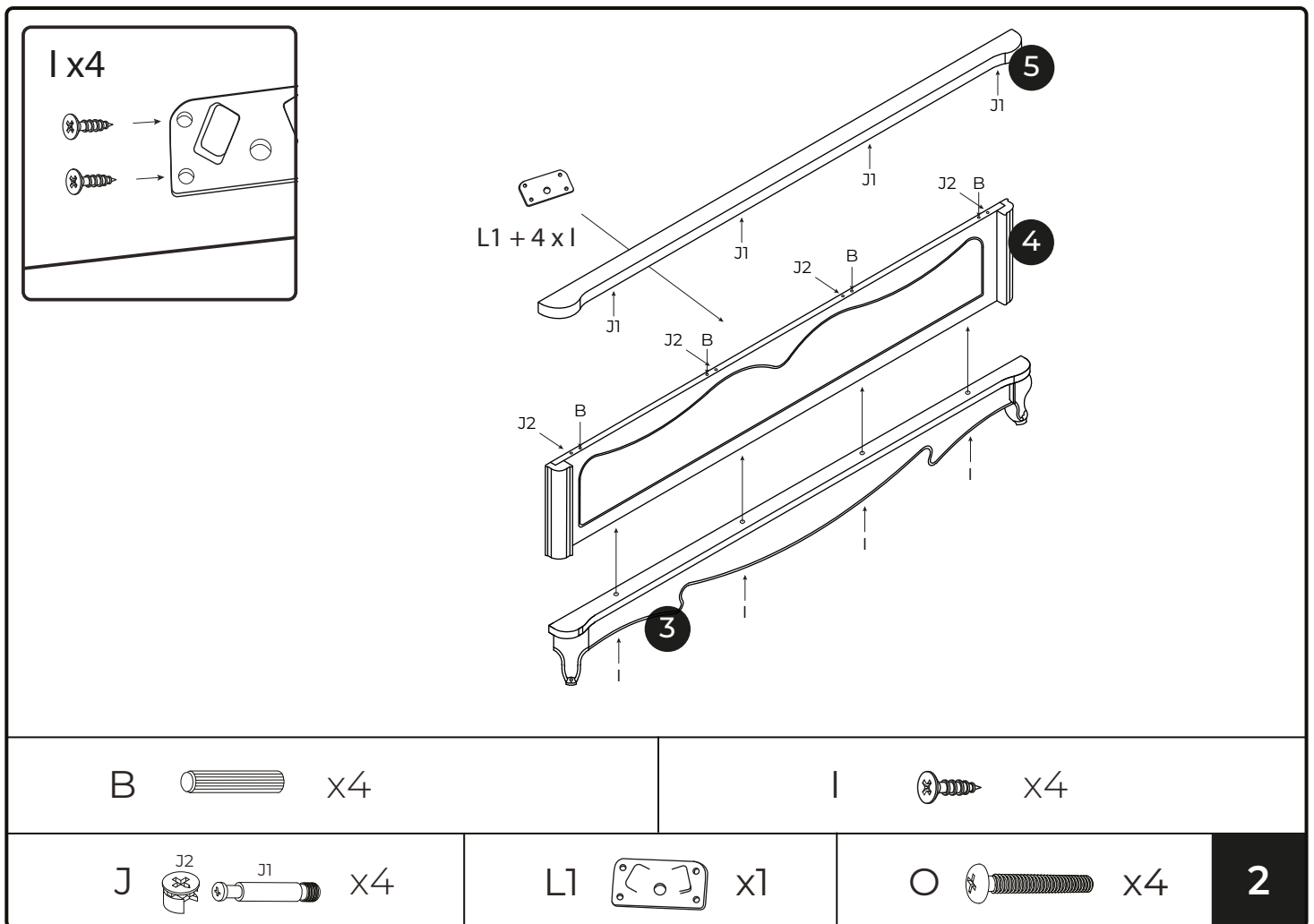
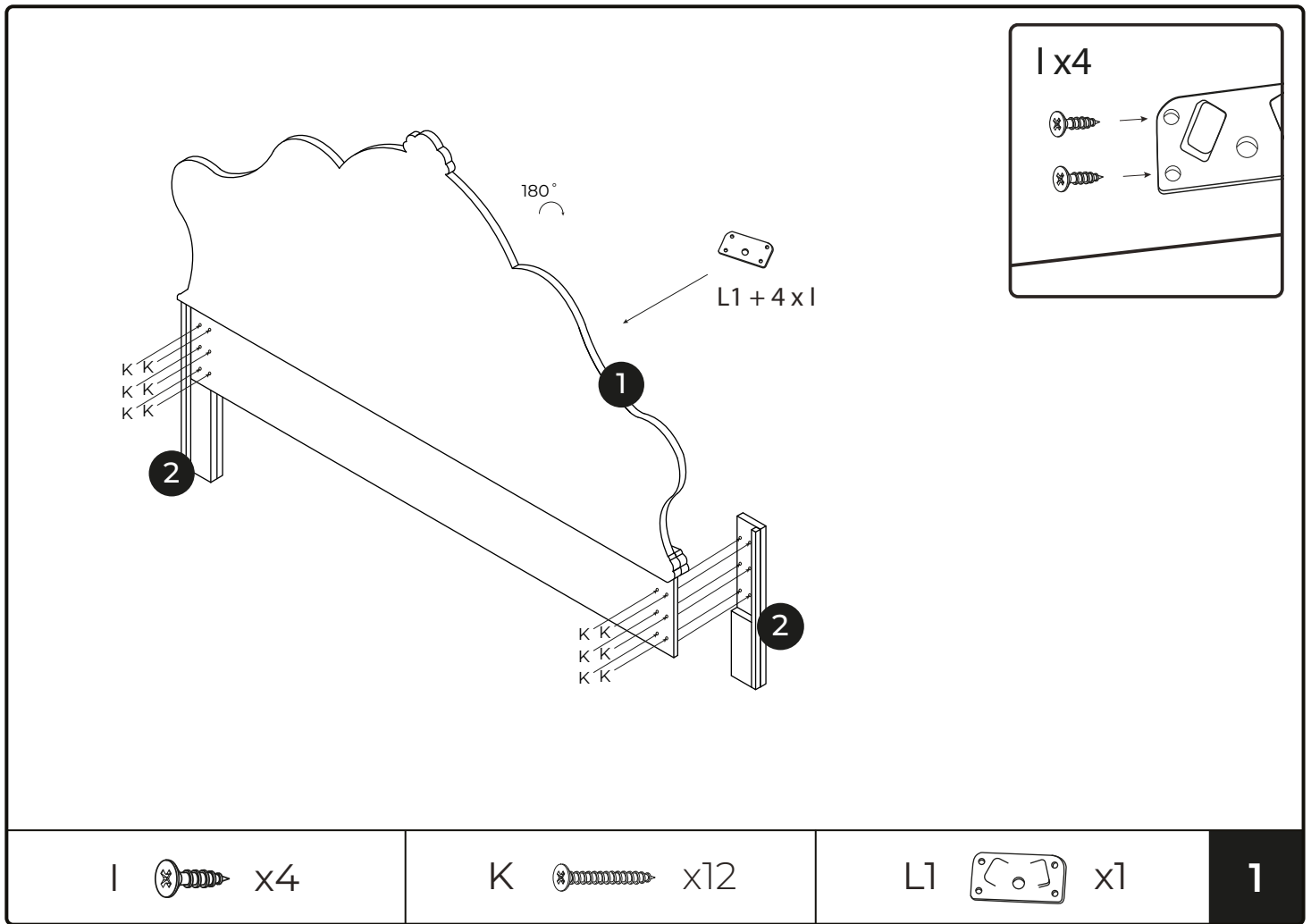
180x200

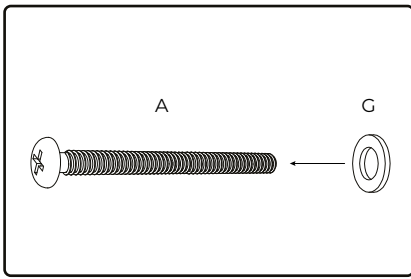
**TWINPACK**

180x200

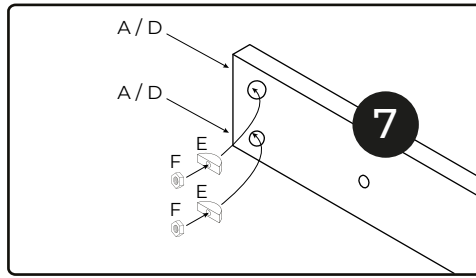


x2 x2  						
	<p><b>A</b> x4 ∅ 8 x 100 mm</p>	<p><b>B</b> x12 ∅ 8 x 30 mm</p>	<p><b>C</b> x18 ∅ 6 x 50 mm</p>	<p><b>D</b> x4 ∅ 8 x 70 mm</p>	<p><b>E</b> x8</p>	<p><b>F</b> x8 ∅ 8 mm</p>
	<p><b>G</b> x4 ∅ 8 mm</p>	<p><b>H</b> x8</p>	<p><b>I</b> x18 ∅ 3.5 x 16mm</p>	<p><b>J</b> x4 ∅ 15 mm</p>	<p><b>K</b> x12 ∅ 3,5 x 35mm</p>	<p><b>L1</b> x2</p>
	<p><b>L2</b> x2</p>	<p><b>M</b> x3 ∅ 8 x 45 mm</p>	<p><b>N</b> x3 ∅ 20 mm</p>	<p><b>O</b> x4 ∅ 6 x 45 mm</p>		

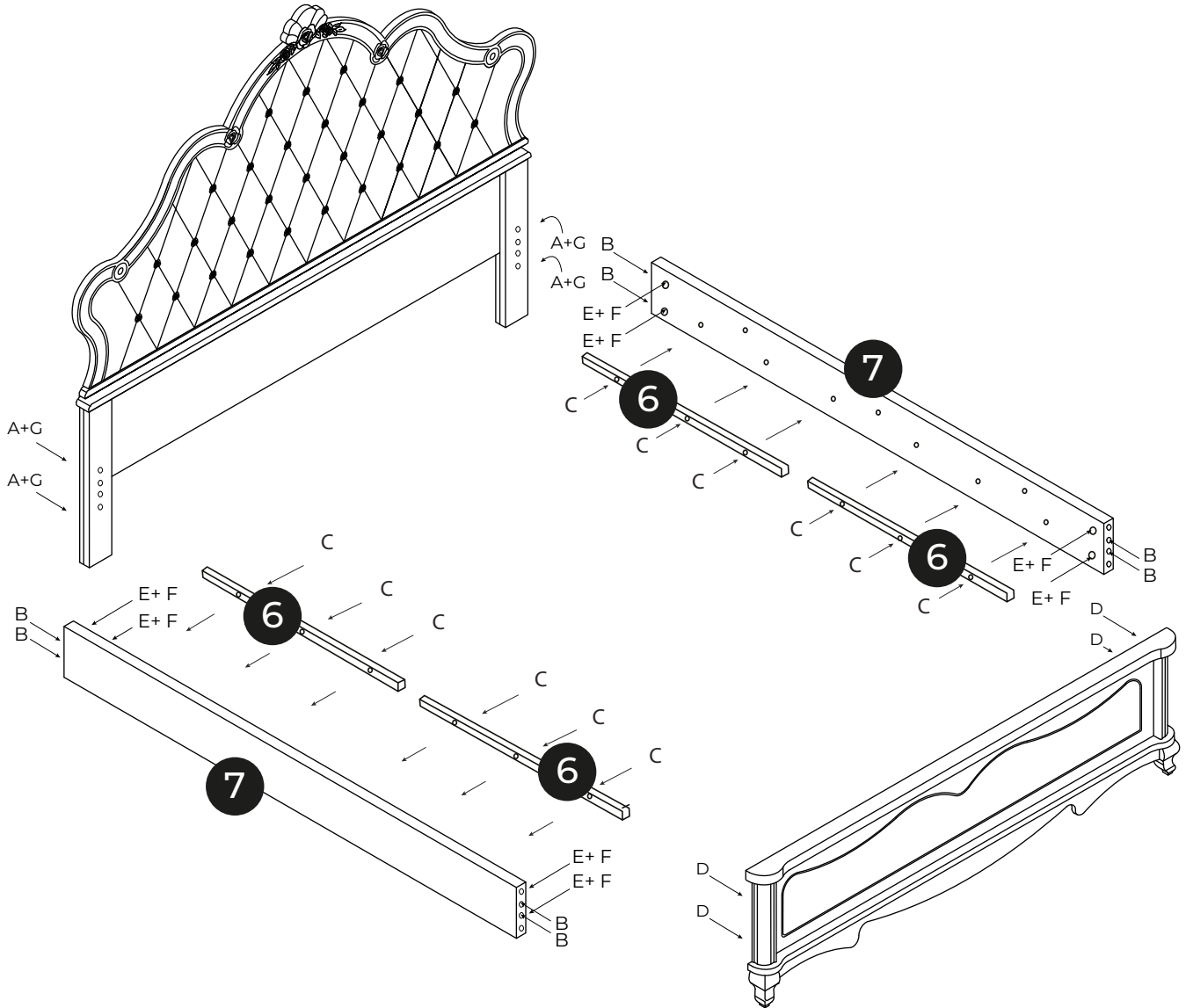
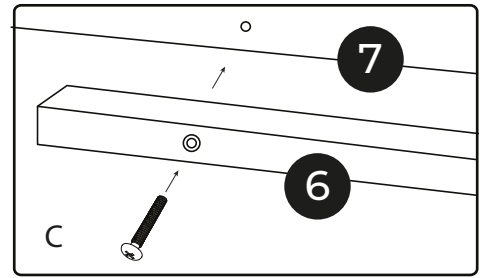




x4




x4



A  x4

B  x8

C  x12

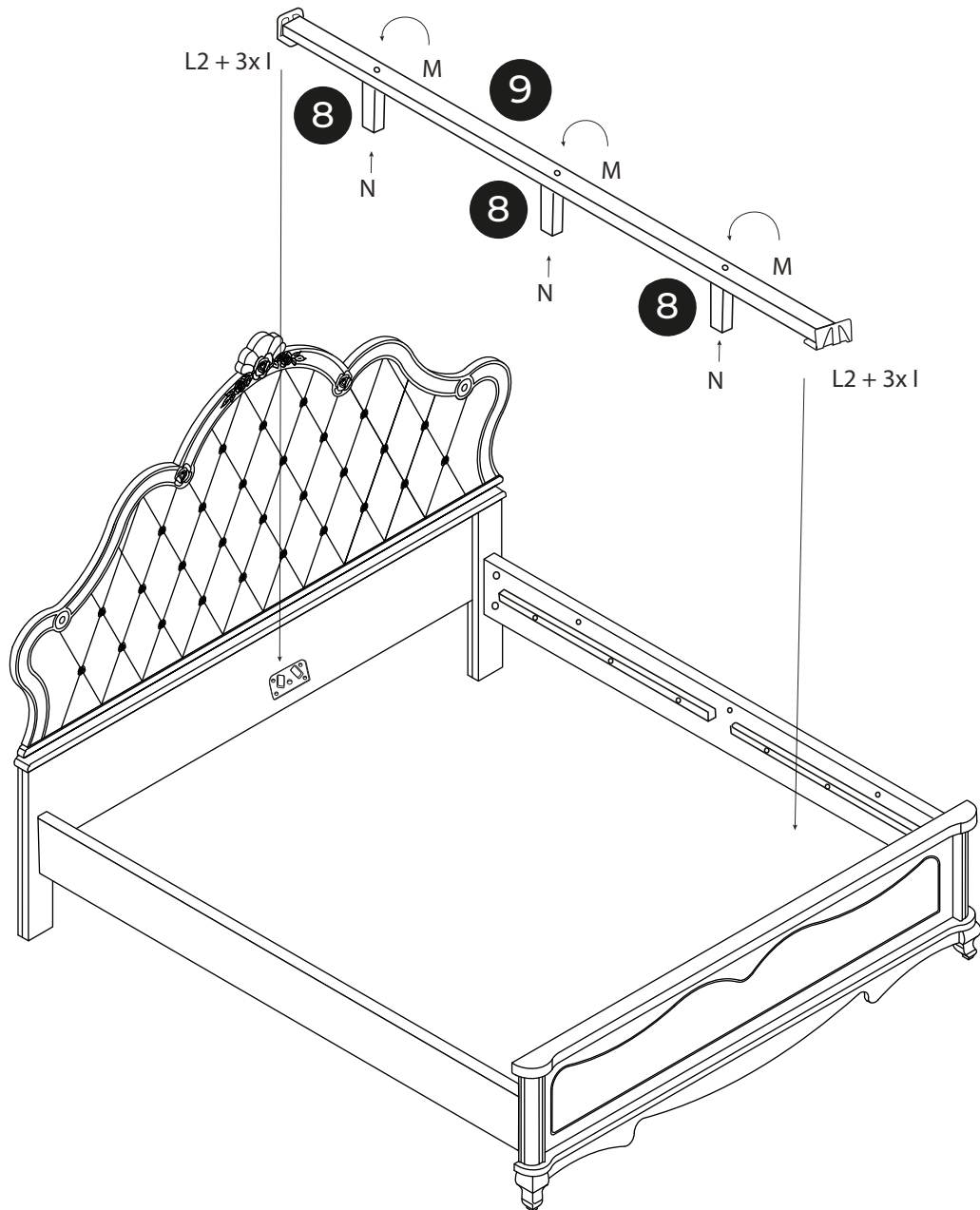
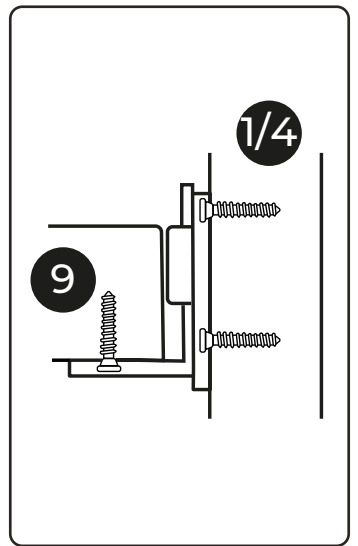
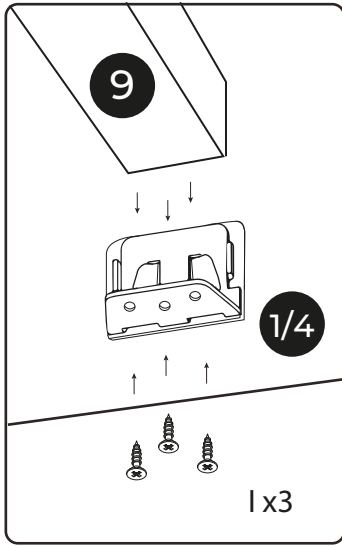
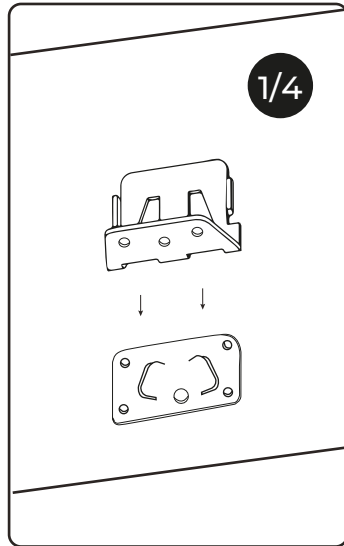
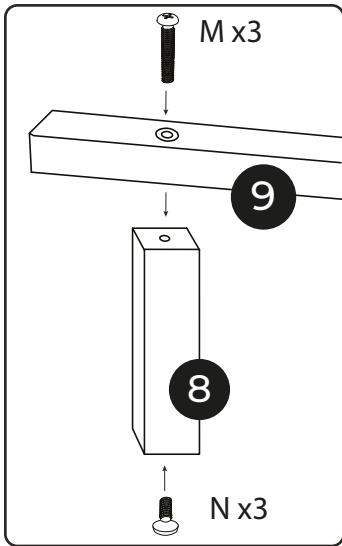
D  x4

E  x8

F  x8


G  x4

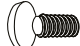
3

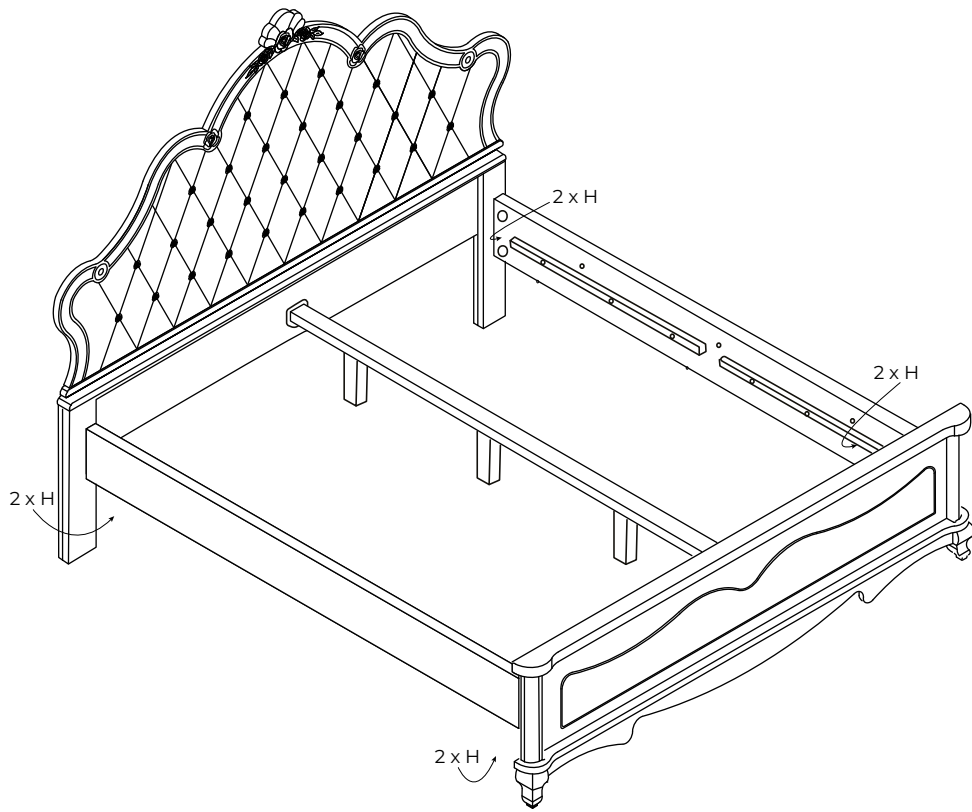


I  x6

L2  x2

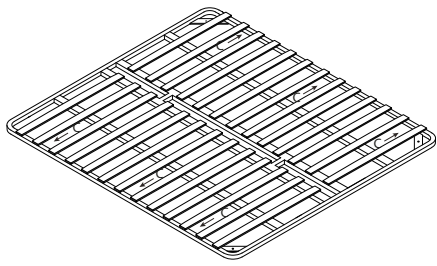
M  x3

N  x3

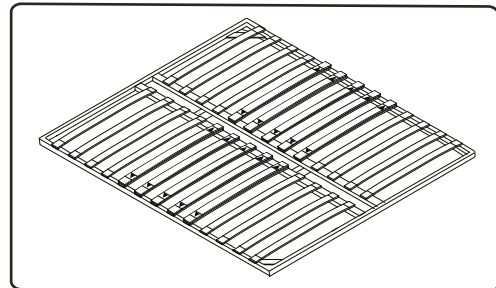


H  x8

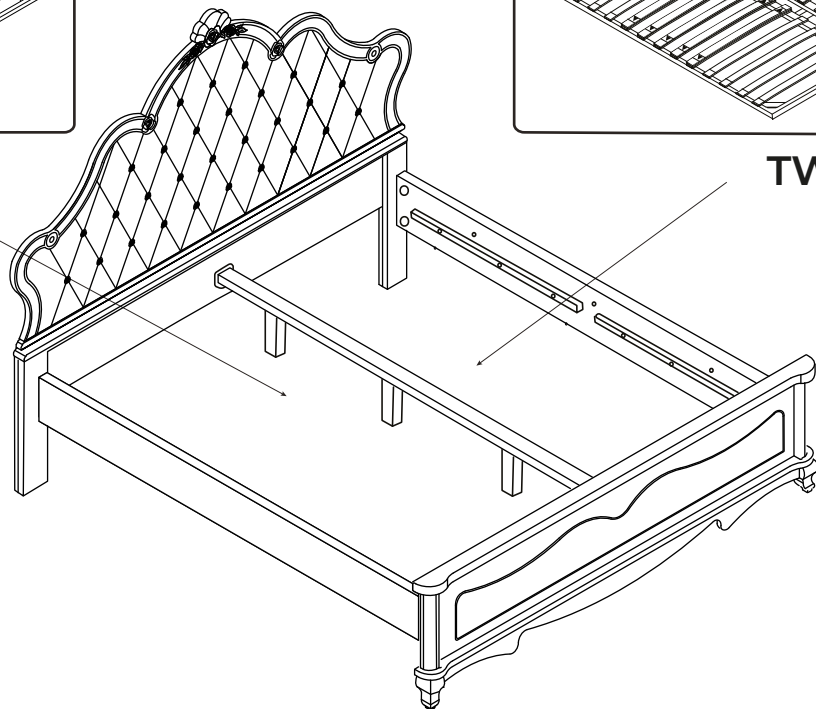
5



**BED BASE**  
180x200



**TWINPACK**  
180x200



C  x6 **BED BASE**

6

**BED BASE**

180x200



**TWINPACK**

180x200

