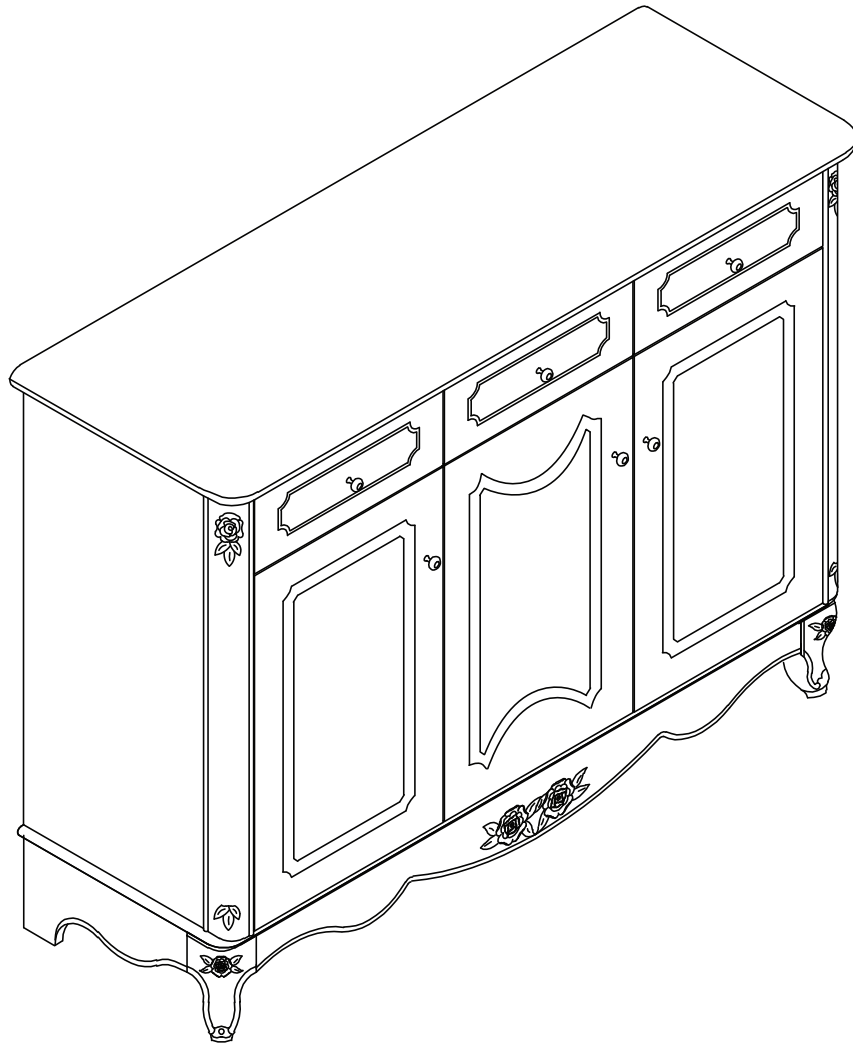
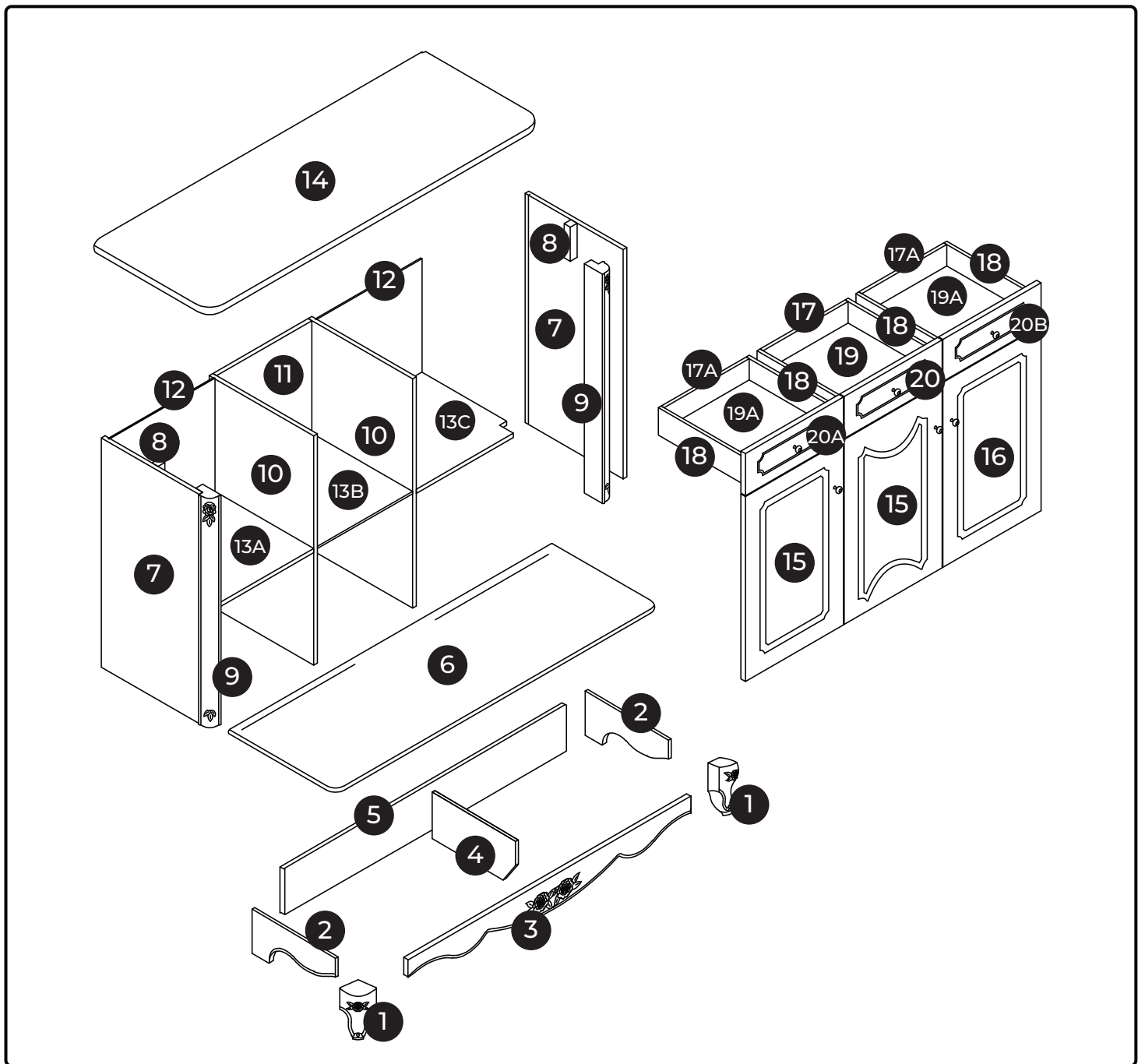


922

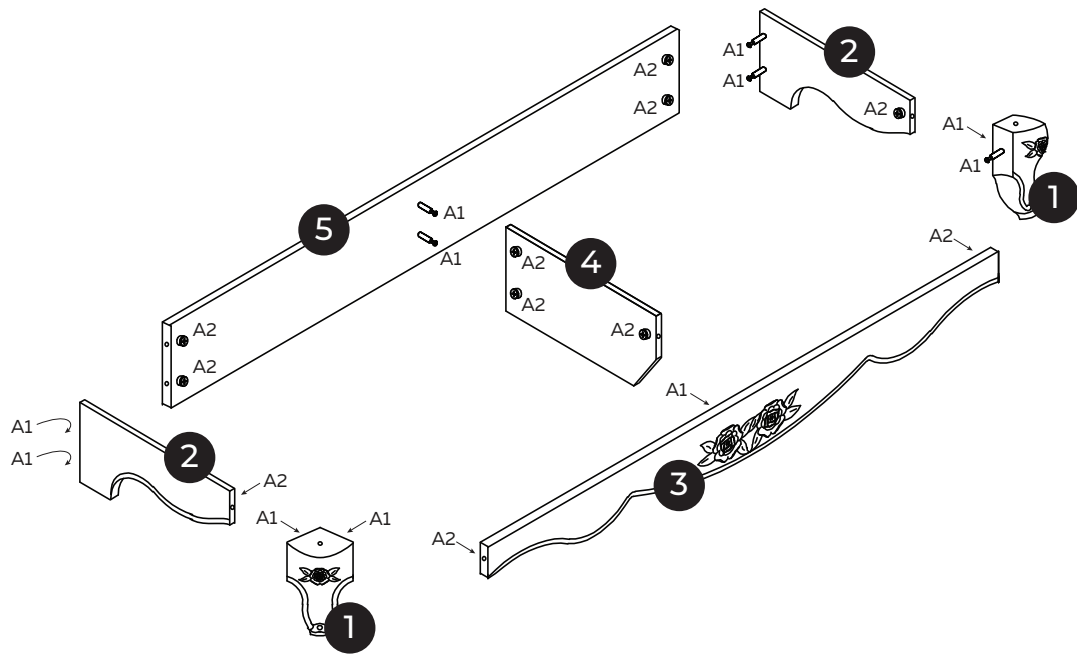
1360 x 500 x 1000 mm





BEMONDI

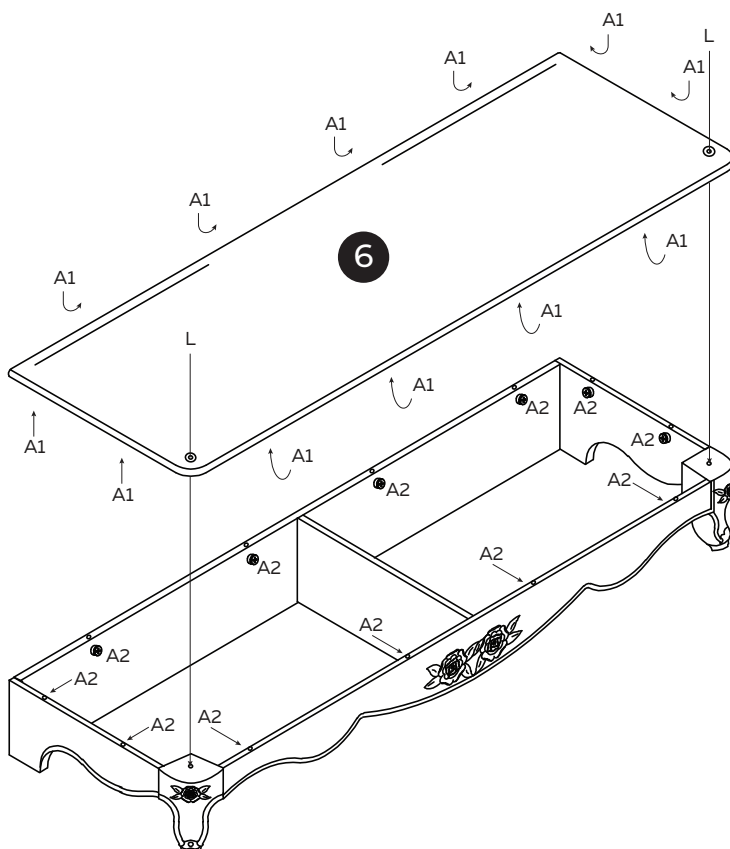



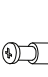
 	 A x57 Ø 15 mm	 B x16 Ø 8 x 30 mm	 C x34 Ø 3,5 x 15 mm	 D x12 Ø 3,5 x 35 mm	 E x6	
	 F x6 Ø 4 x 25 mm	 G x24 Ø 4 x 10 mm	 H x12 Ø 15 mm	 I x4	 J x2 Ø 8 x 25 mm	
	 K x10 Ø 6 x 30 mm	 L x2	 M x4	 S x6 300 x 35 mm		

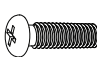


A   x11

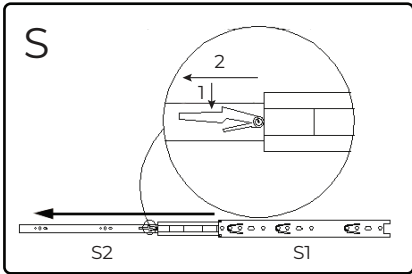
1



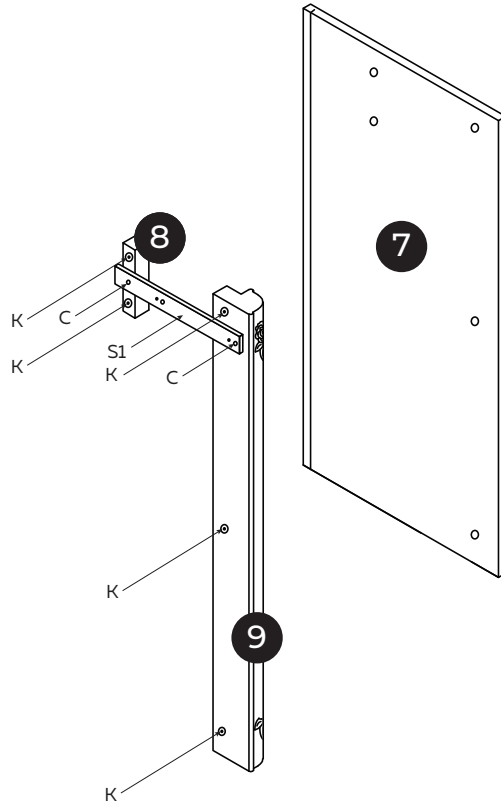
A   x12

L  x2

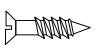
2

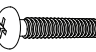


x2



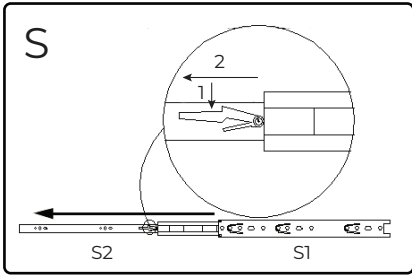
x2

C  x4

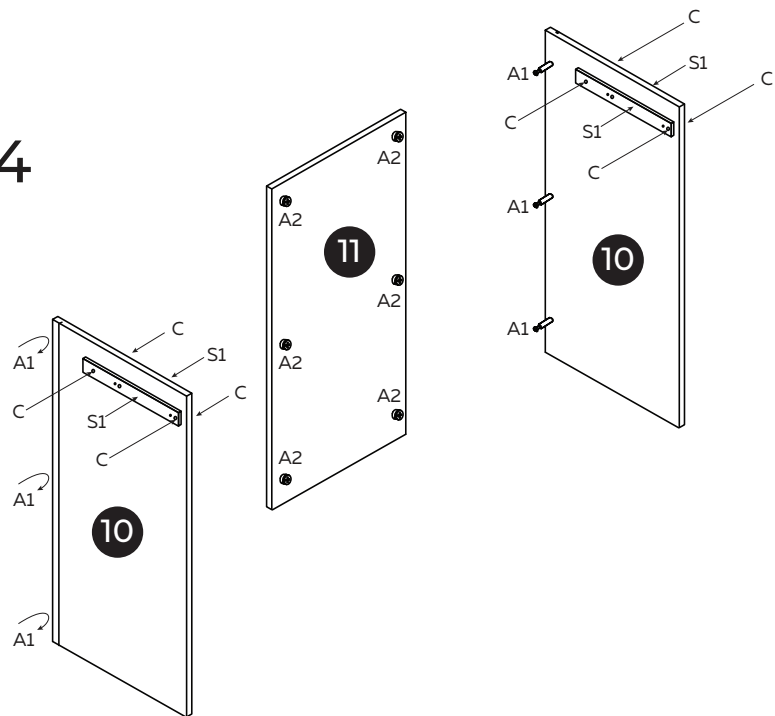
K  x10


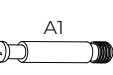
S1  x2

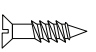
3



x4

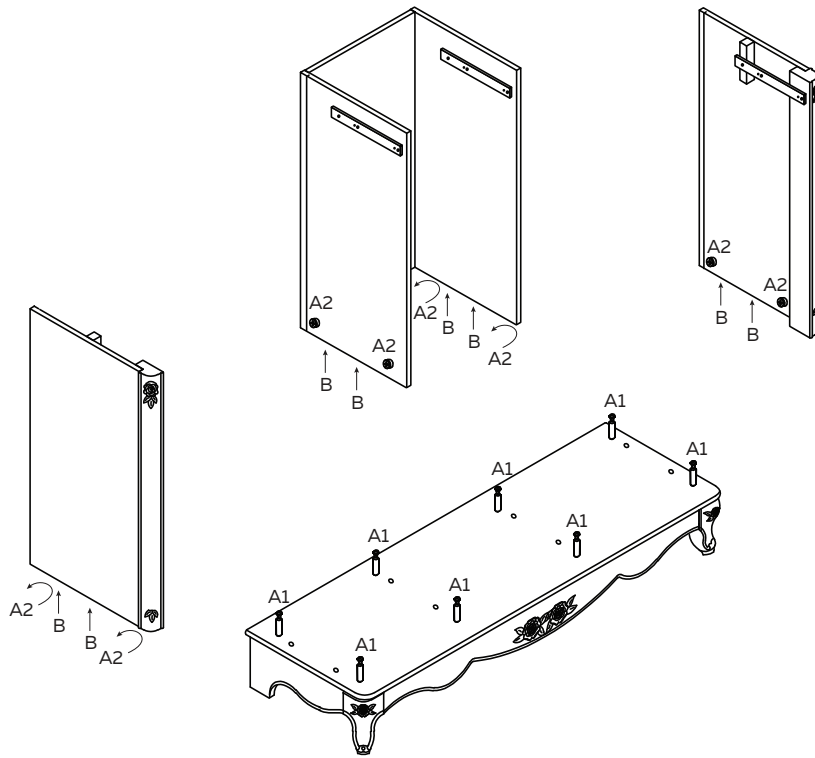



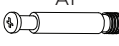
A   x6

C  x8

S1  x4

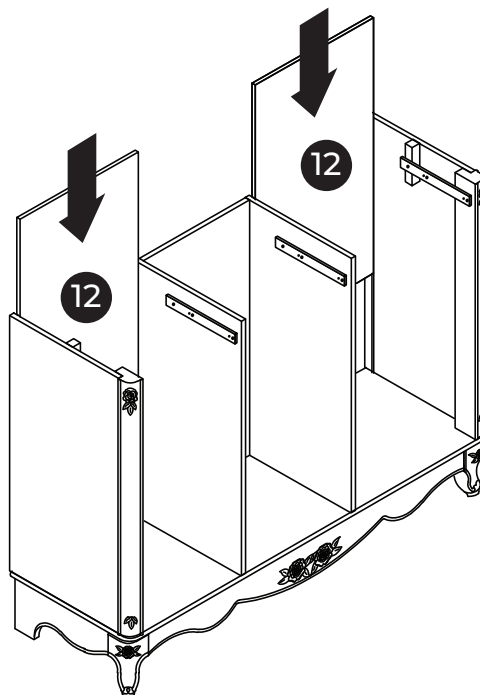
4



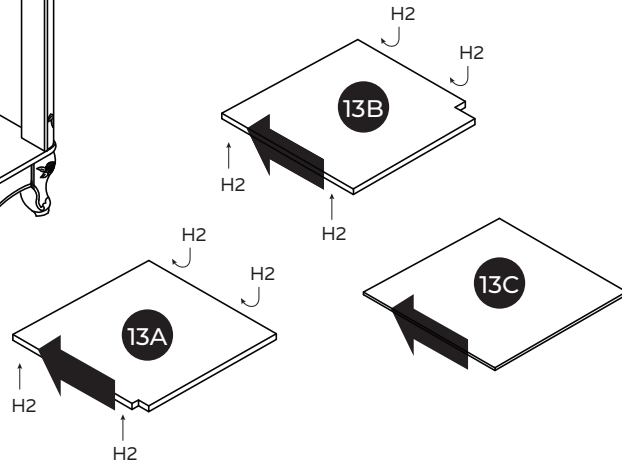
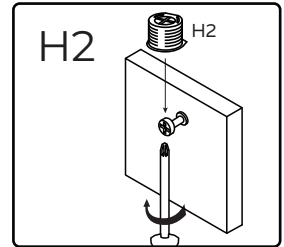
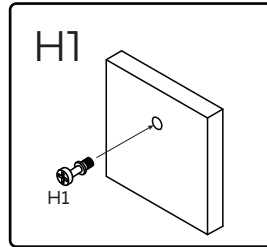
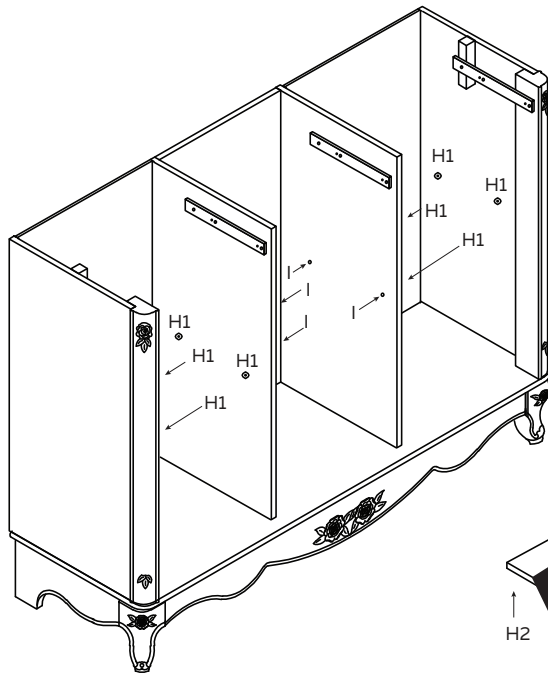
A   x8


B  x8



5



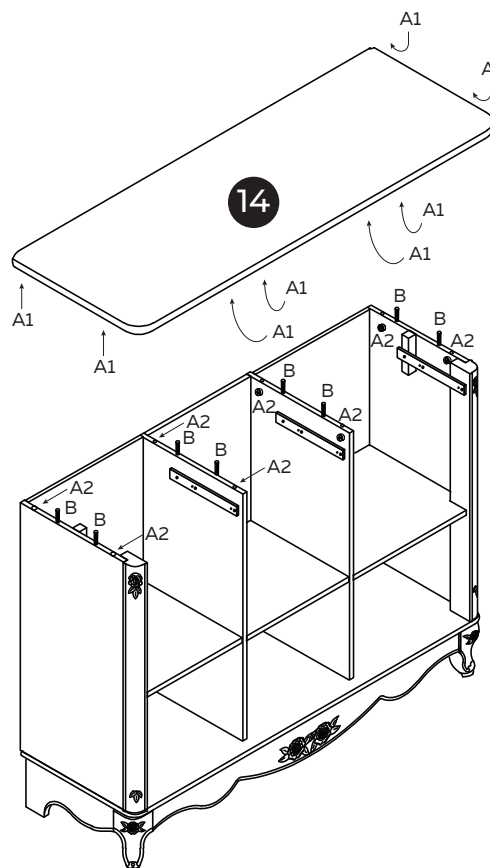
6





I  x4

H   x8

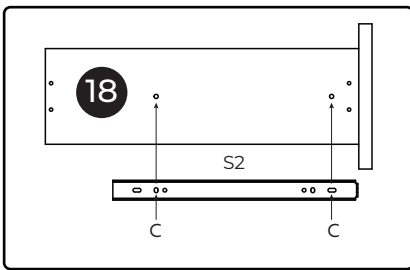
7



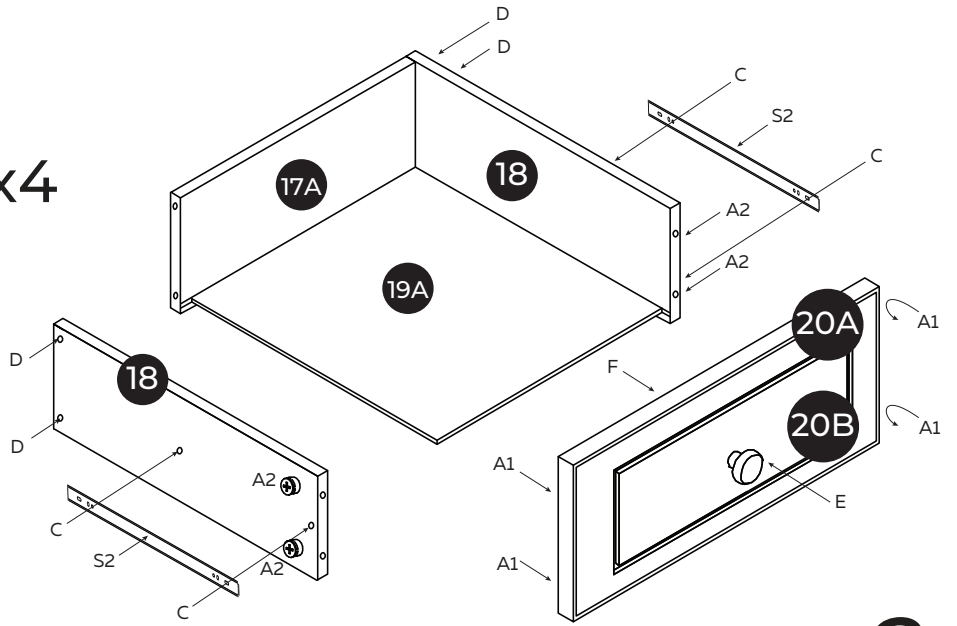
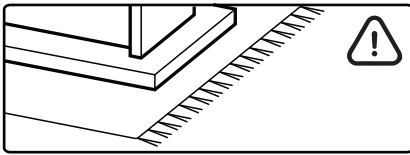
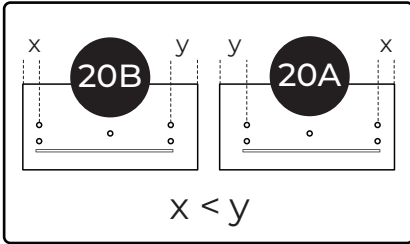
A   x8

B  x8


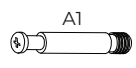
8

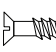


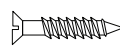
x4

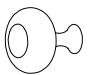


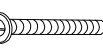
x2

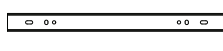
A   x8

C  x9

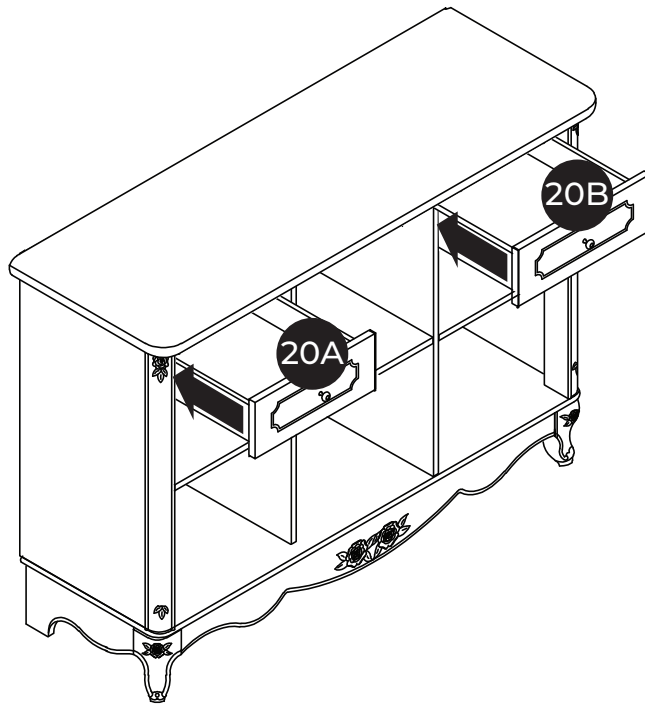
D  x8

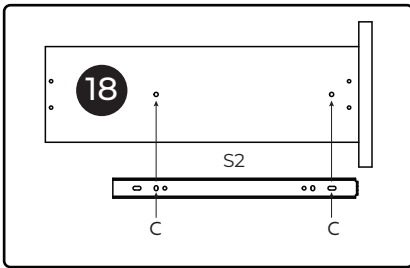
E  x2

F  x2

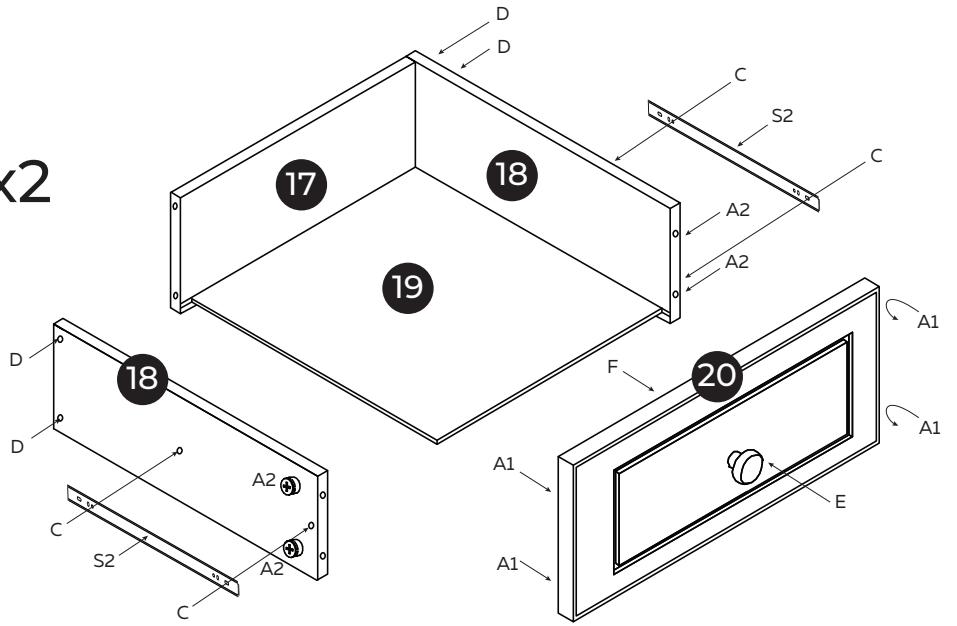
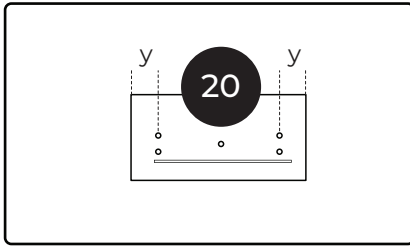
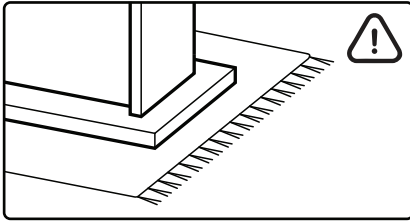
S2  x4


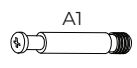
9

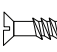


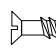


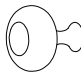
x2

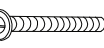


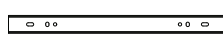
A   x4

C  x4

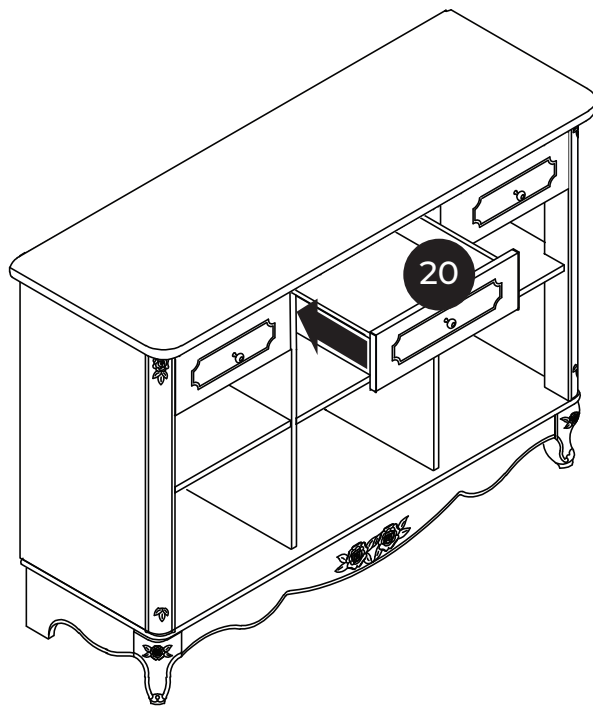
D  x4

E  x1

F  x1

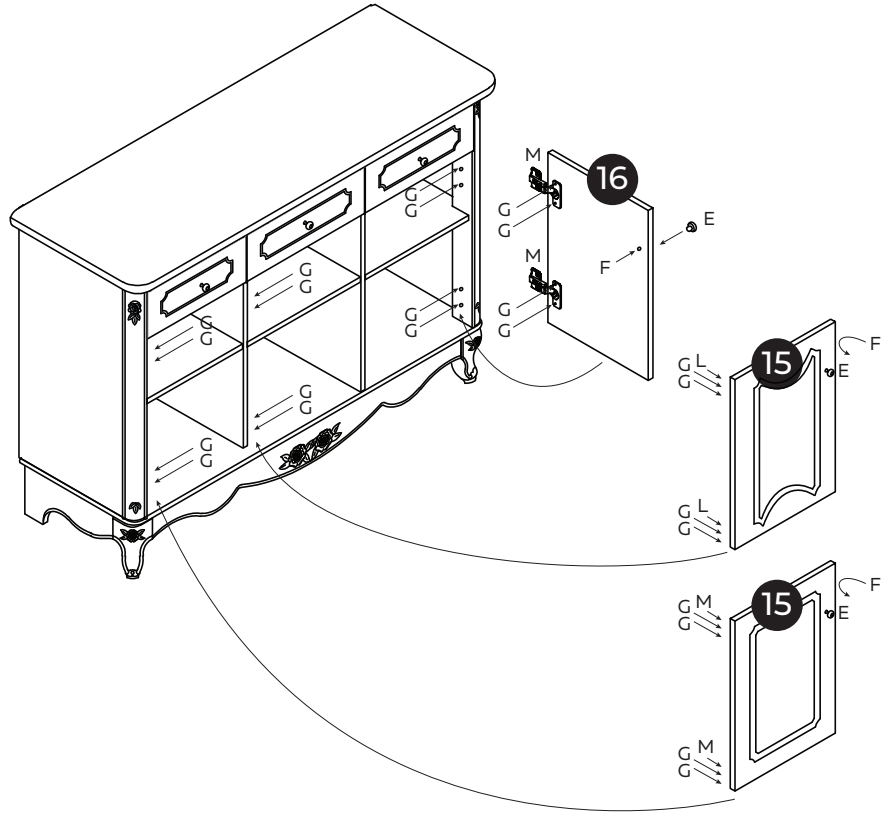
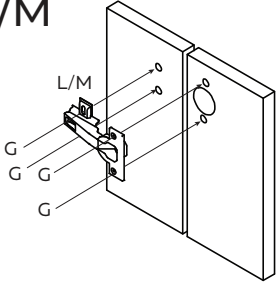
S2  x2

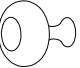
11





12

L/M




E  x3

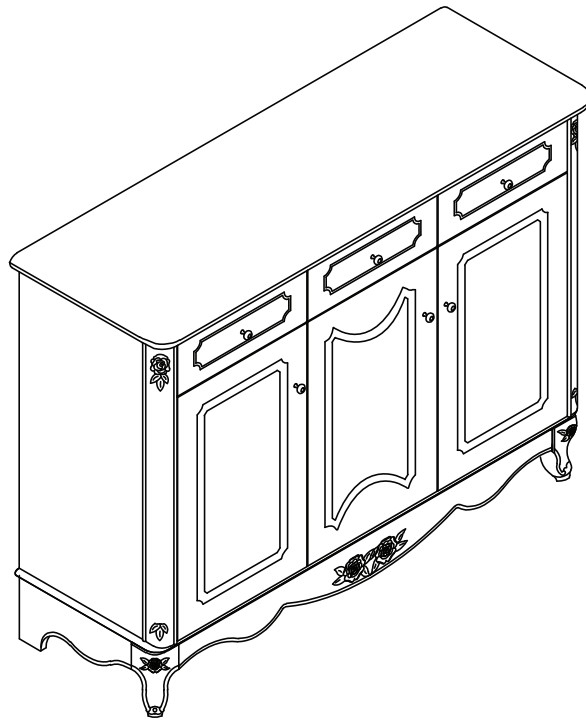
F  x3

G  x24

L  x2

M  x4

13



14