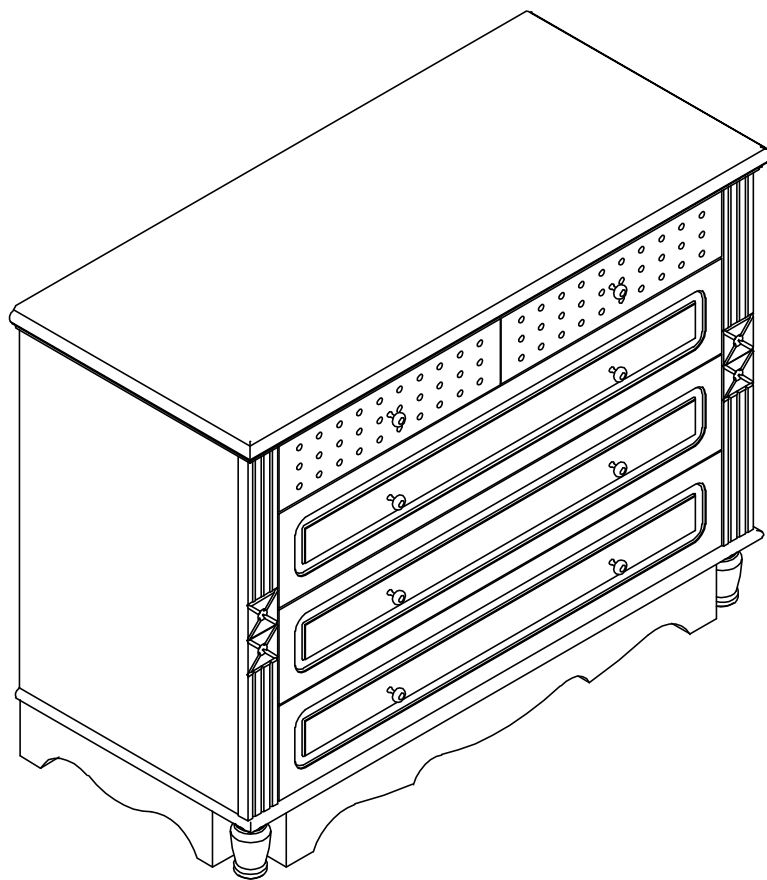
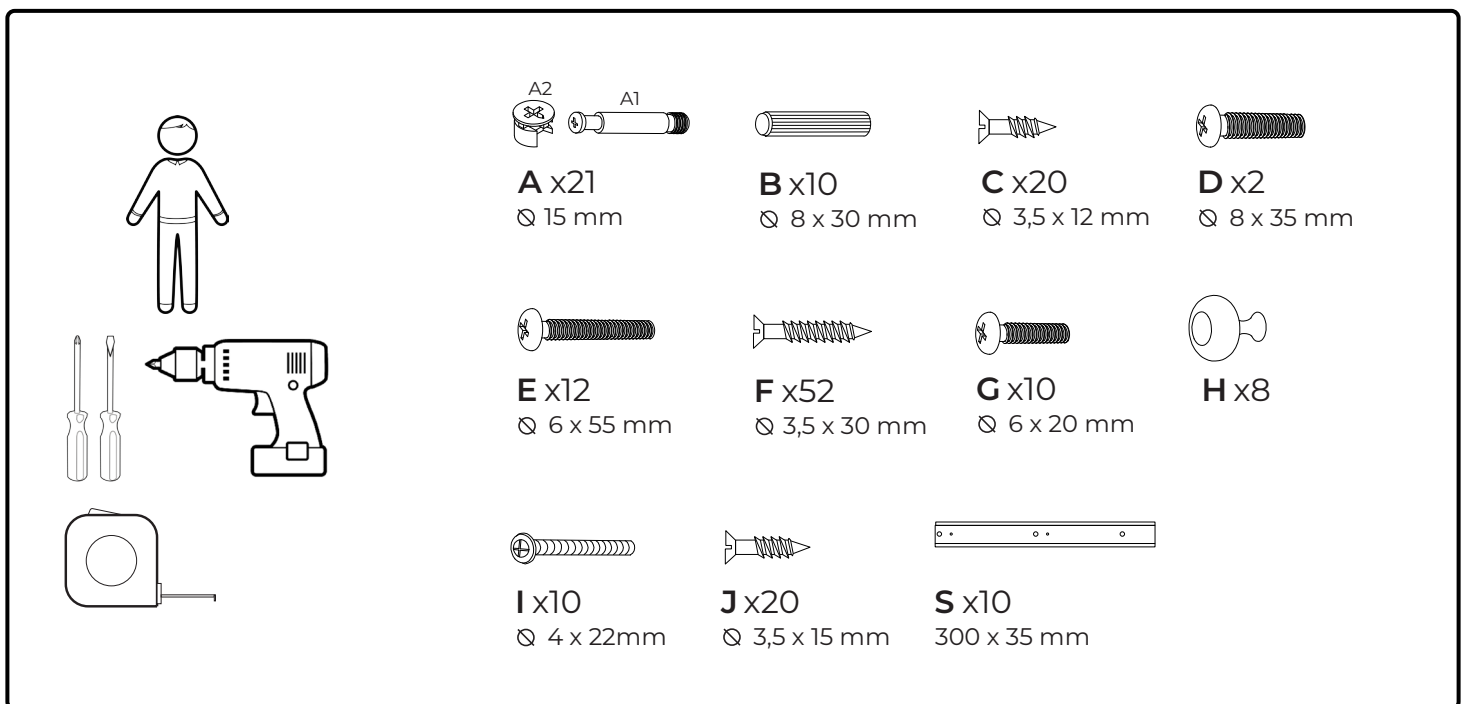
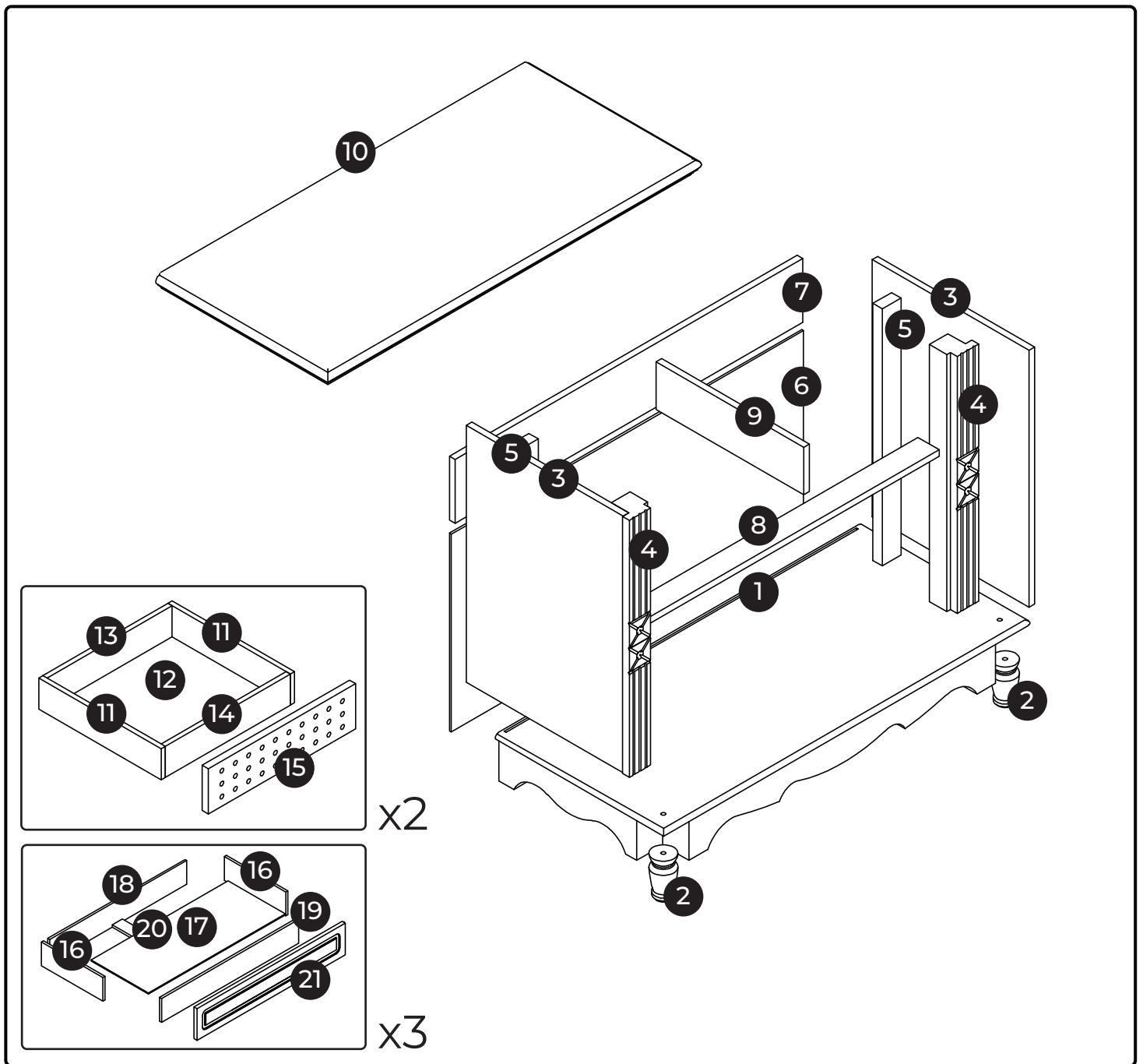


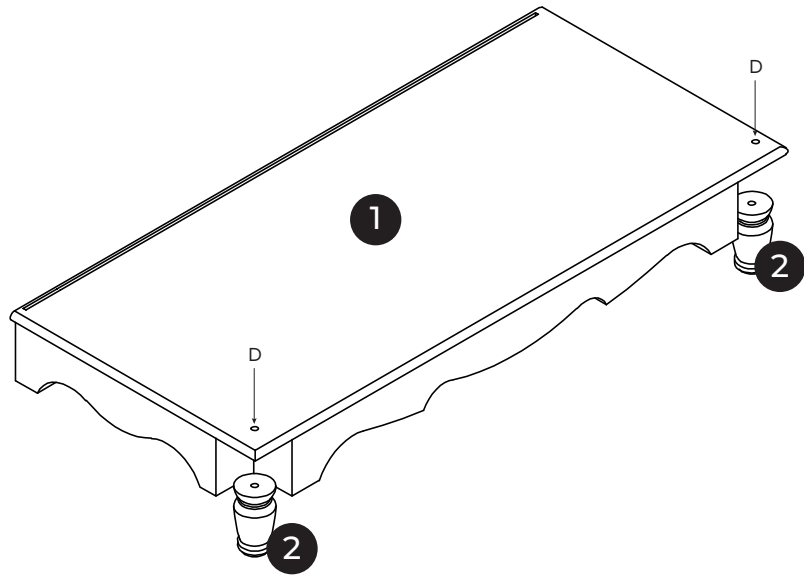
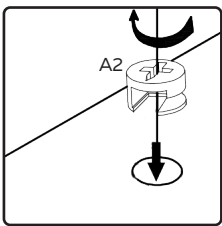
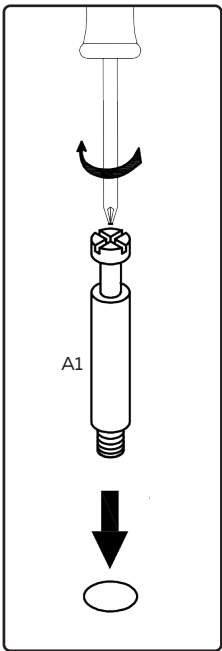
# 805

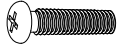
1000 x 460 x 750 mm



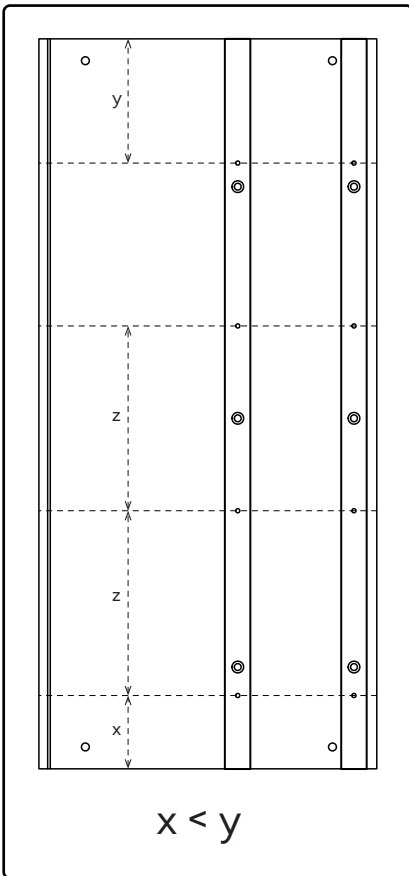
**BEMONDI**





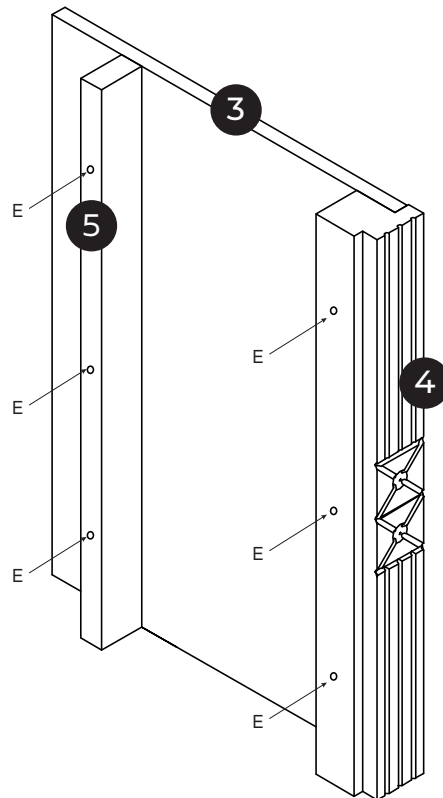
D  x2

1



$x < y$

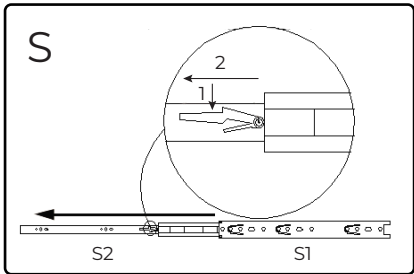
x2



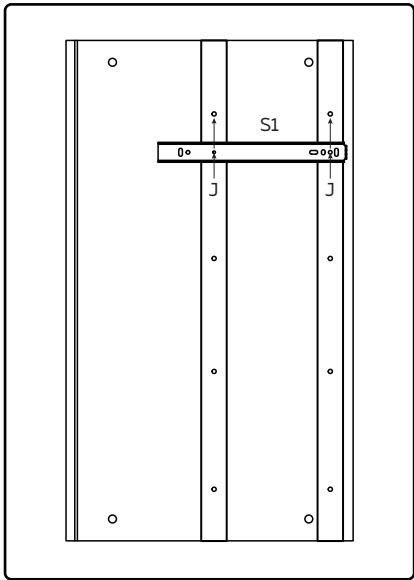
x2

E  x12

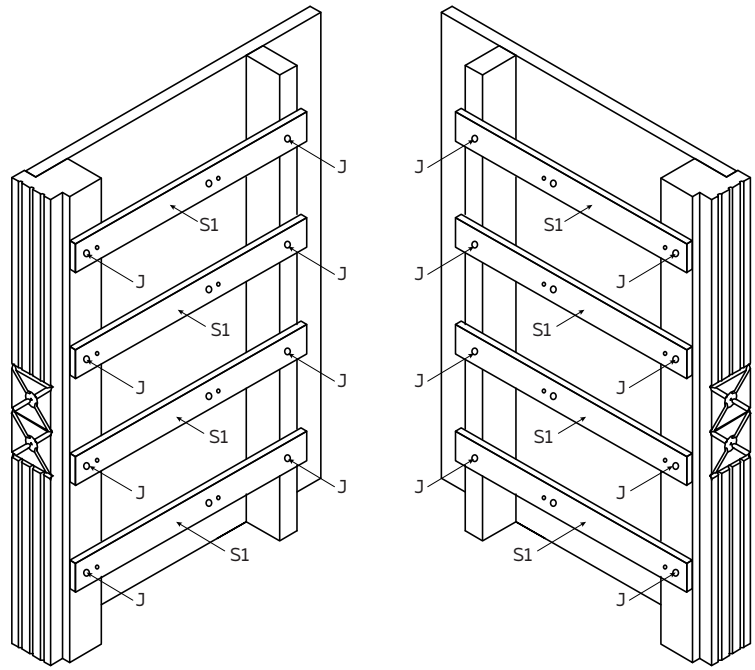
2

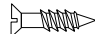



x8



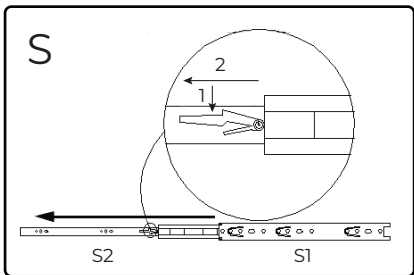
x8



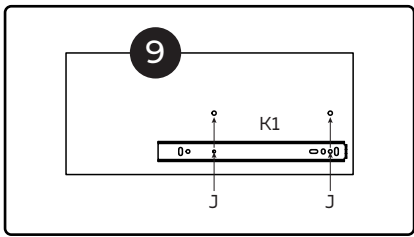
J  x16

S1  x8

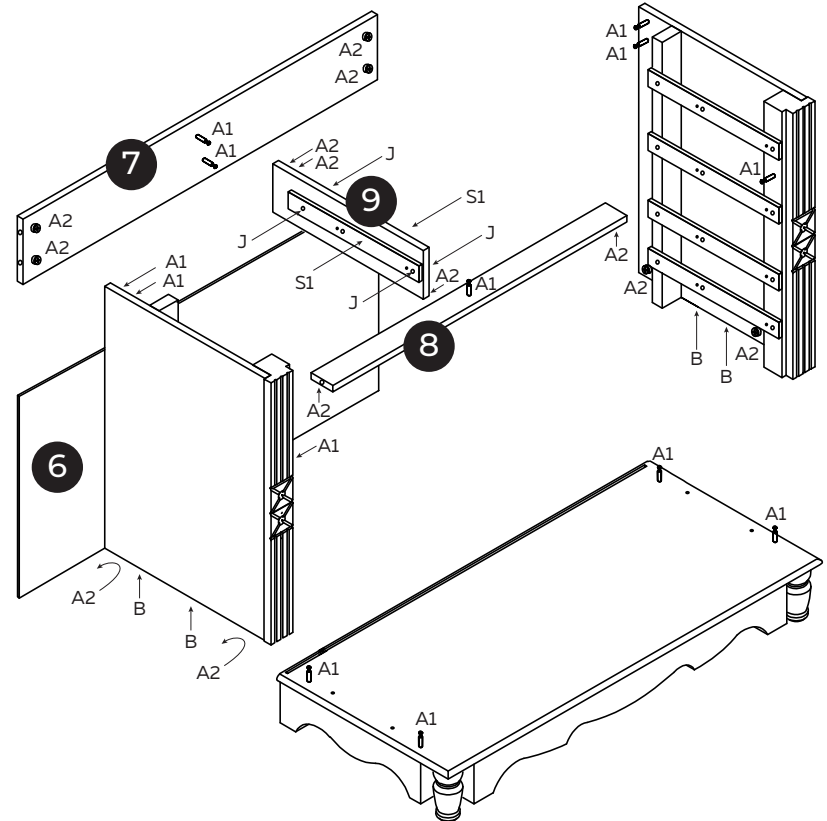
3


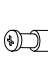


x2




x2



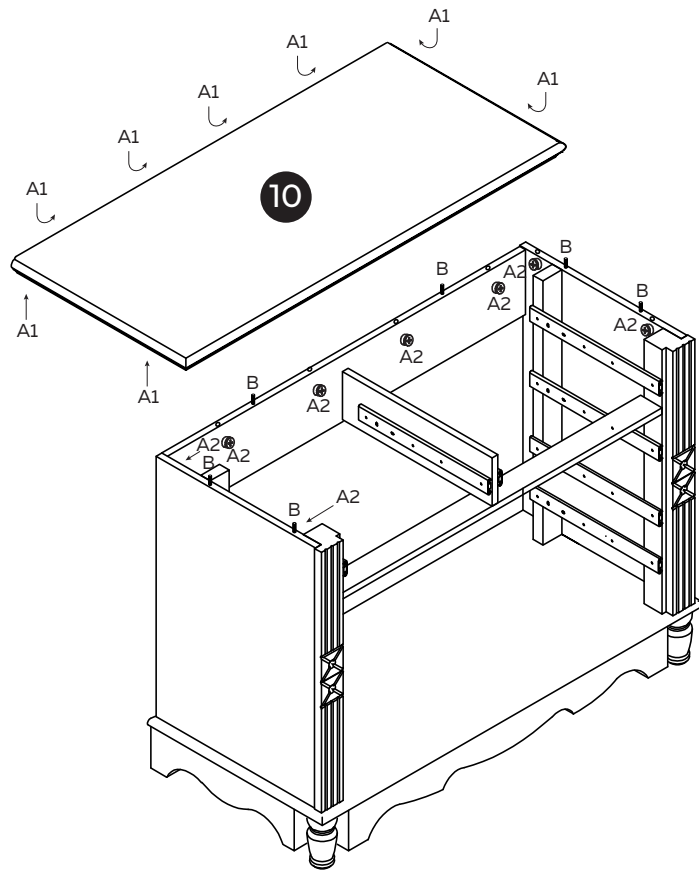
A   x13



B  x4

J  x4

S1  x2

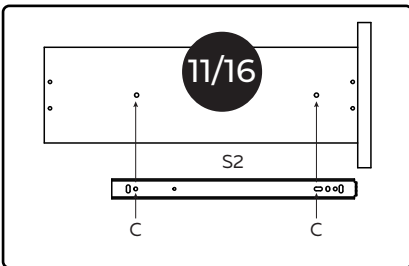
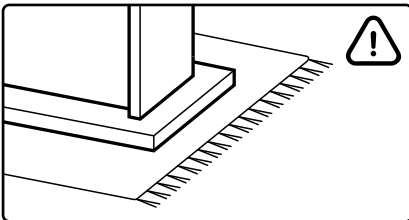
4



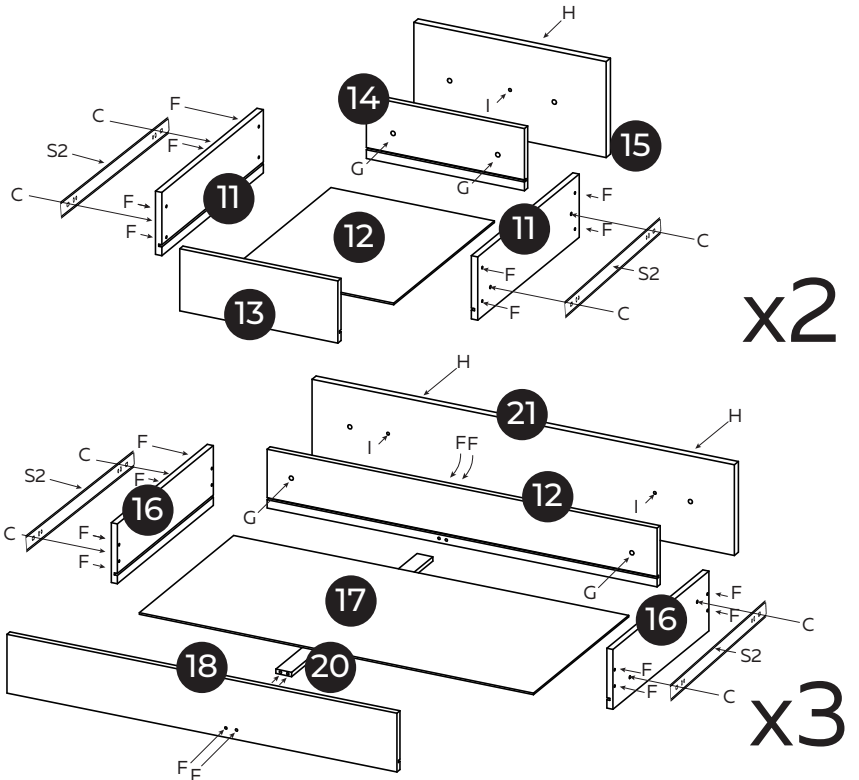
A   x8

B  x6

5



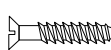
x10



x2

x3

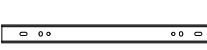
C  x20

F  x52

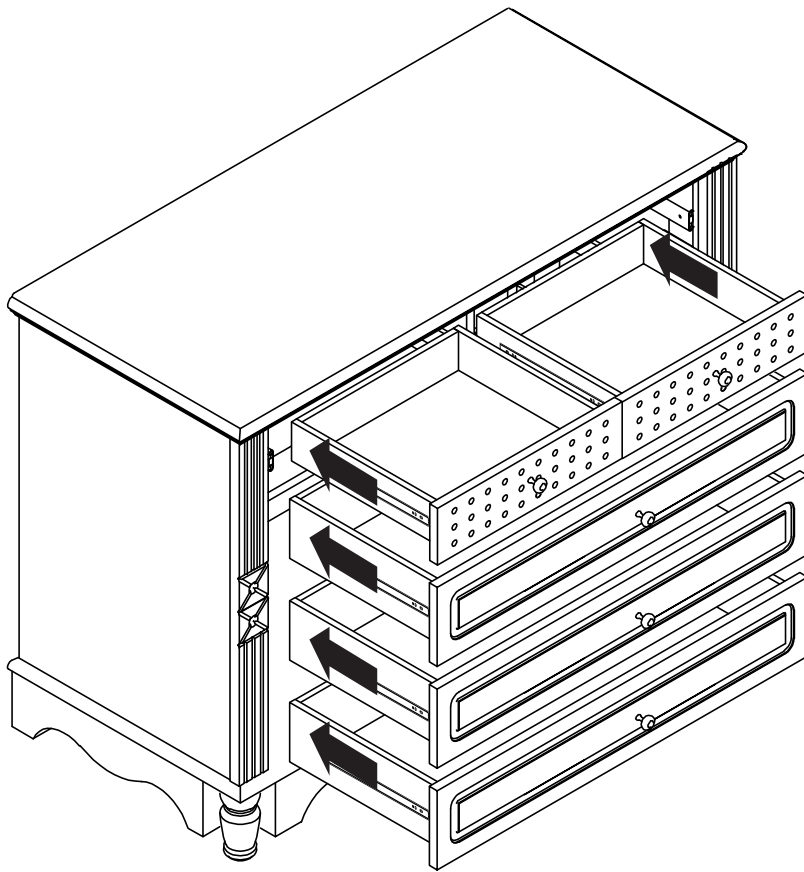
G  x10

H  x8

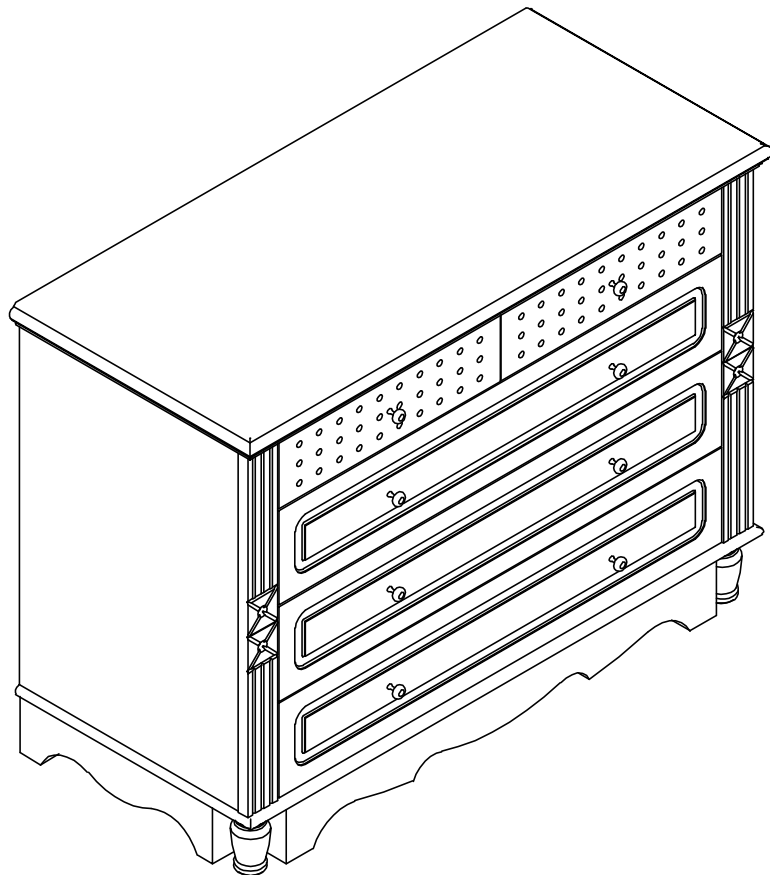
I  x8

S2  x10

6



7



8