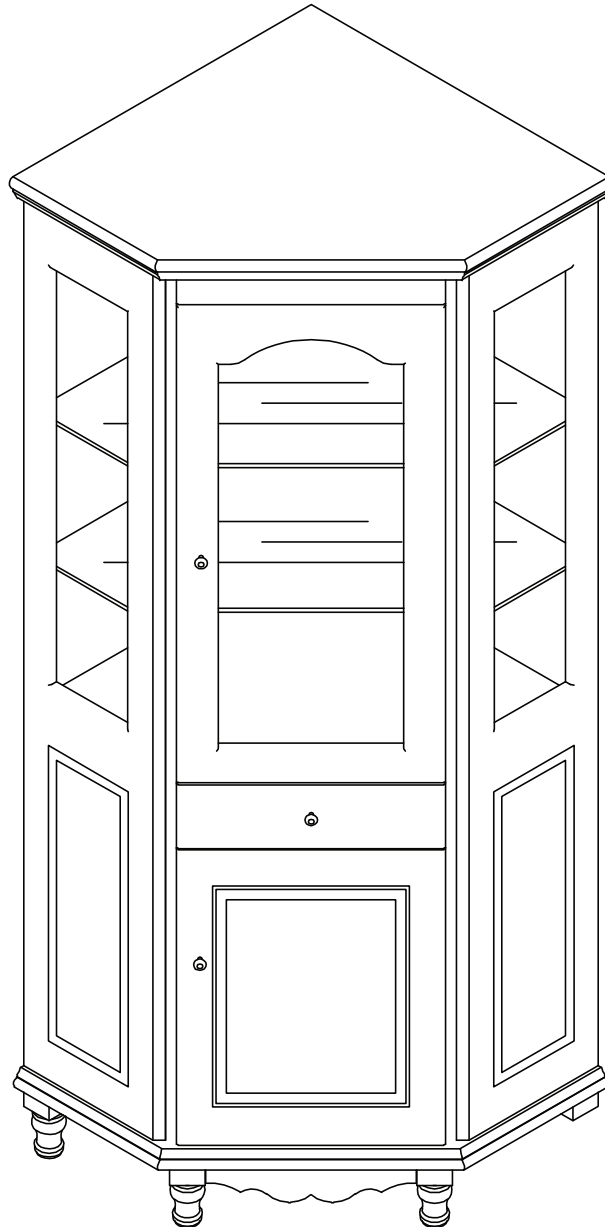
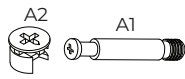
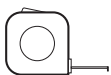
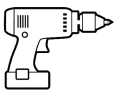
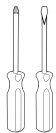
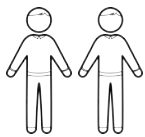
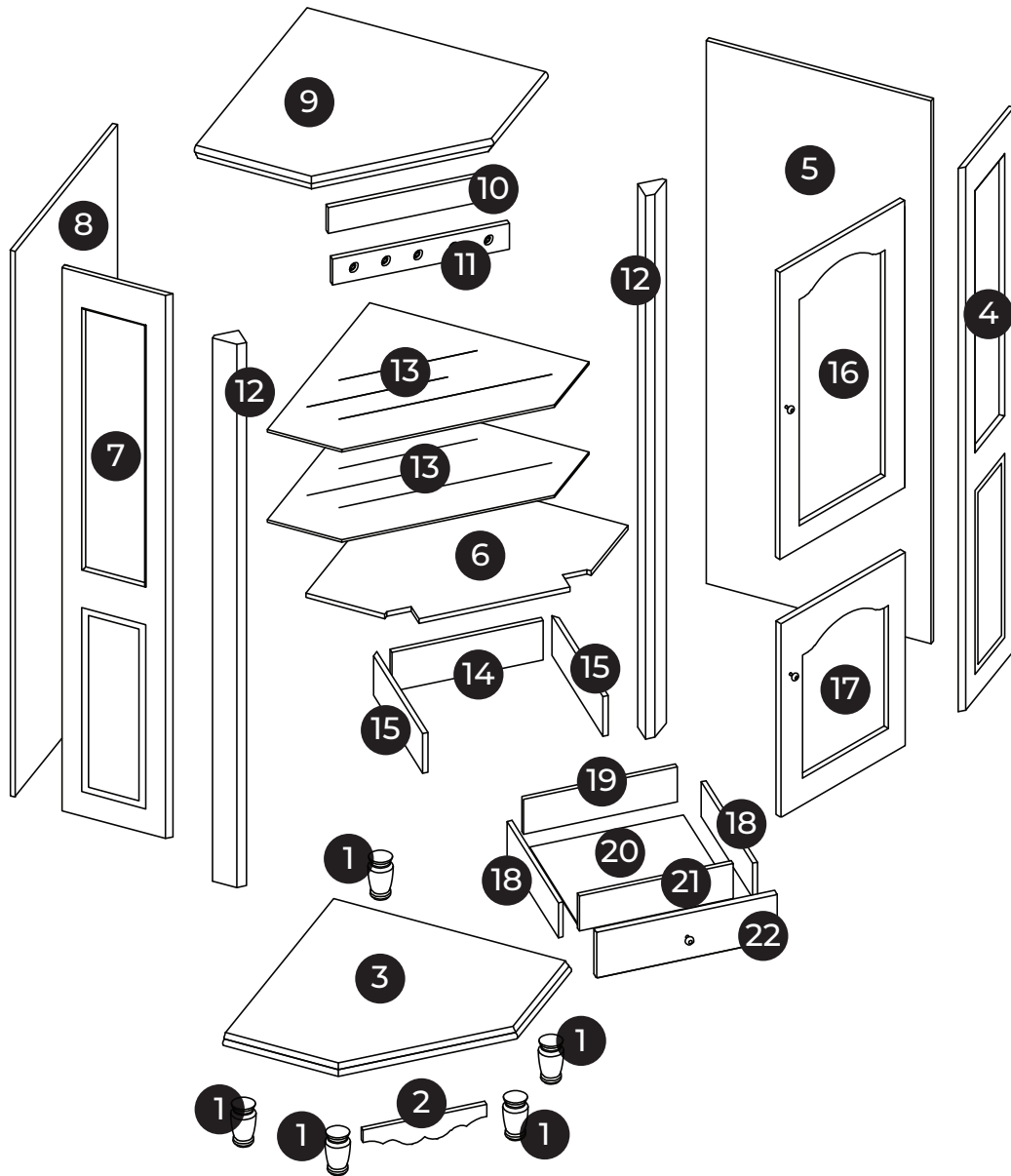


830

650 x 650 x 2000 mm



BEMONDI



A x46
 Ø 15 mm



B x20
 Ø 8 x 30 mm



C x4
 Ø 3,5 x 12 mm



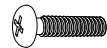
D x8
 Ø 3,5 x 30 mm



E x4
 Ø 3,5 x 15 mm



F x2
 Ø 6 x 25 mm



G x2
 Ø 6 x 20 mm



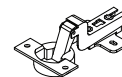
H x8
 Ø 6 x 50 mm



I x5
 Ø 8 x 50 mm



J x16
 Ø 6 x 18 mm



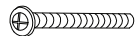
K x5



L x3



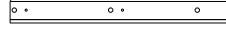
M x20
 Ø 4 x 10 mm



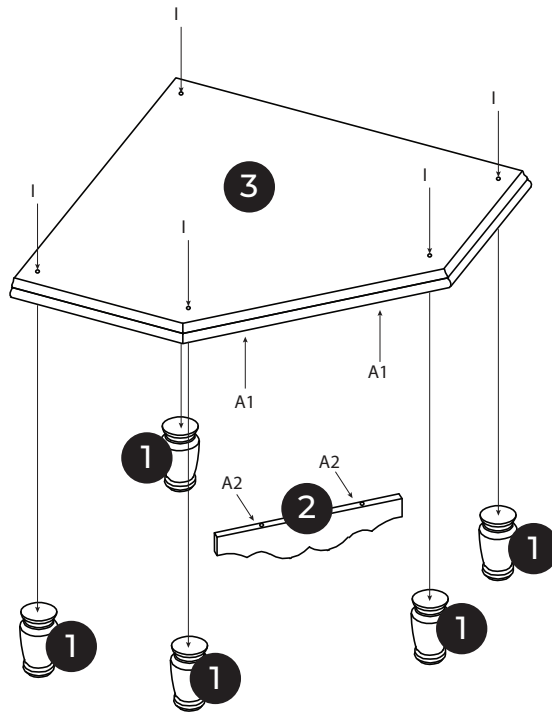
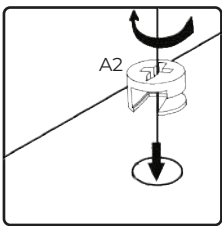
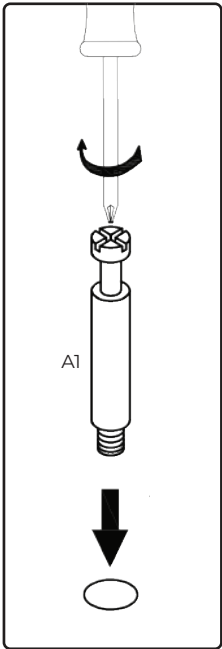
N x2
 Ø 4 x 22 mm


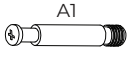



O x1
 Ø 4 x 20 mm



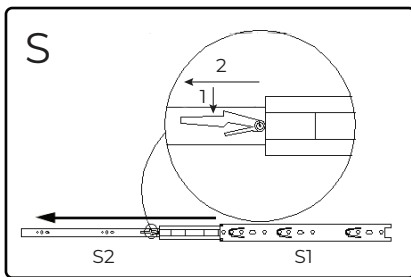
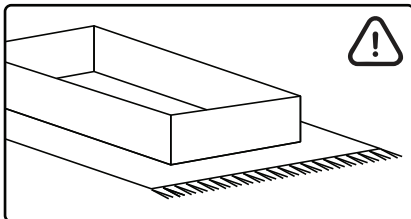
S x2
 300 x 35 mm



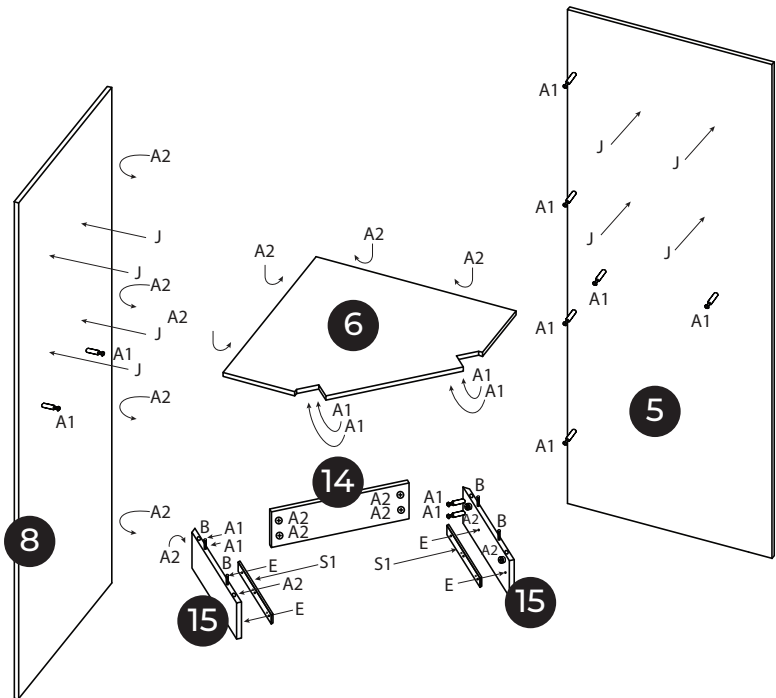
A   x2


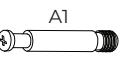
I  x5


1




x2



A   x16

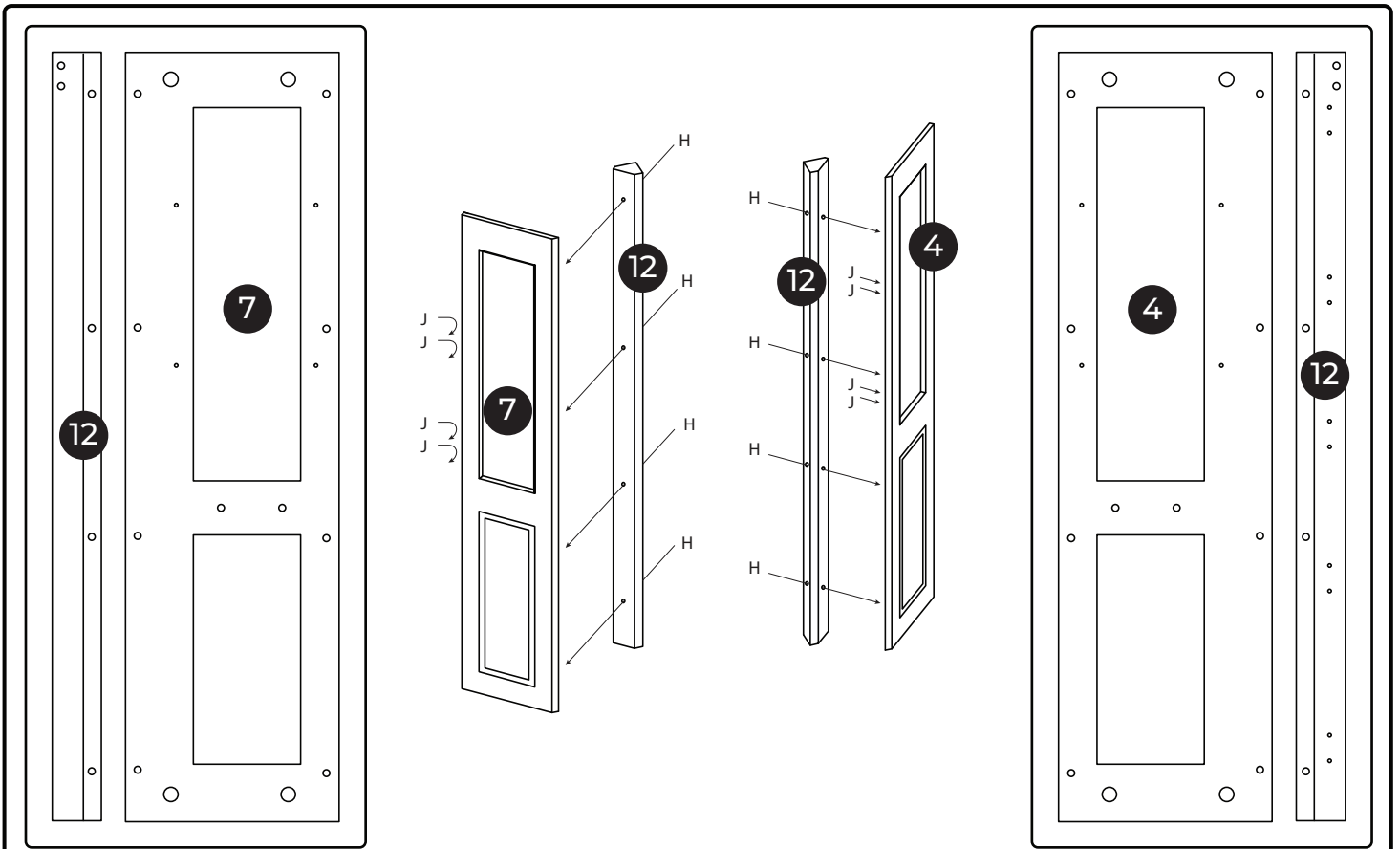
B  x4

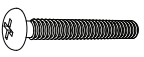
E  x4

J  x8

S1  x2

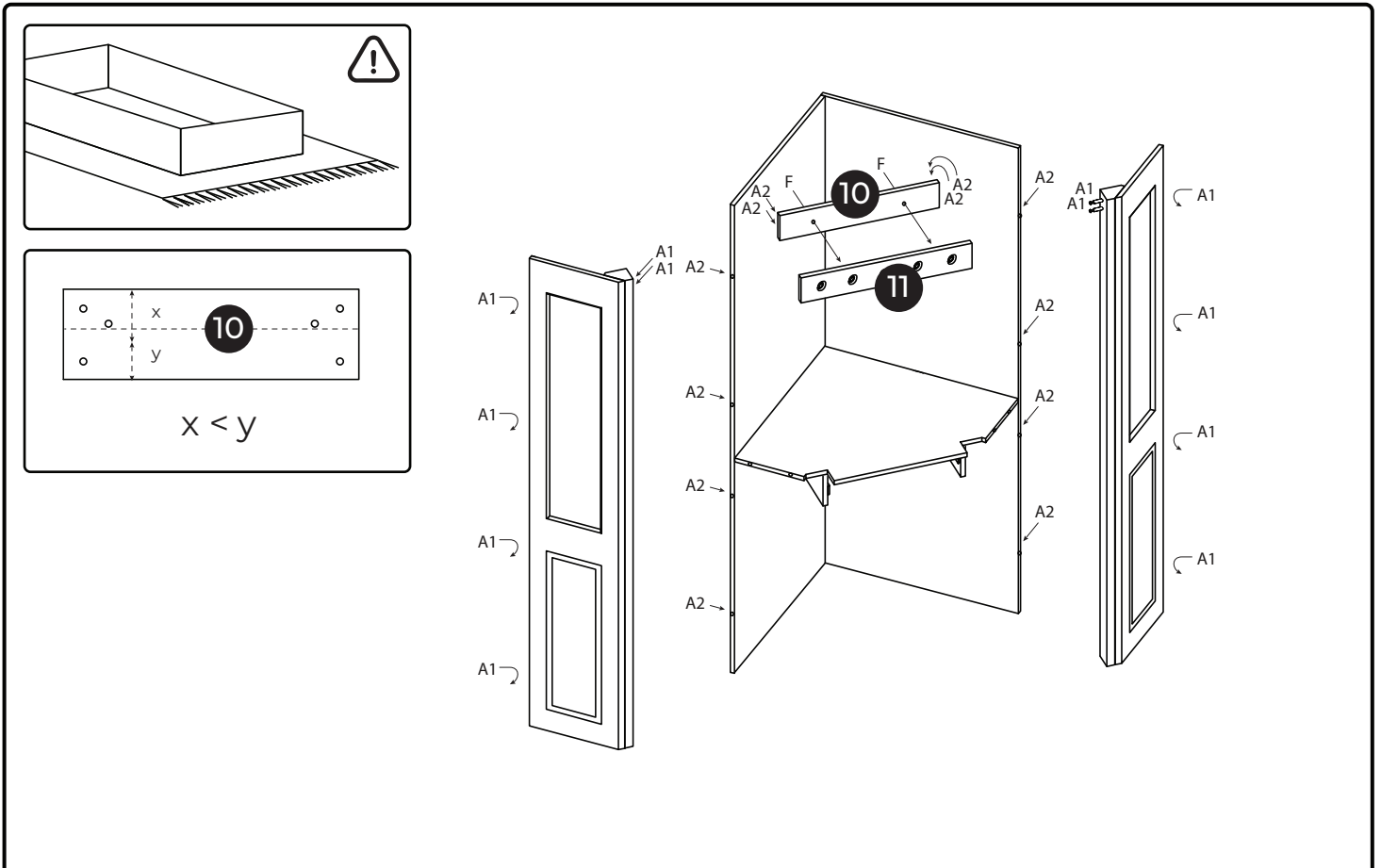
2




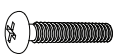
H  x8

J  x8

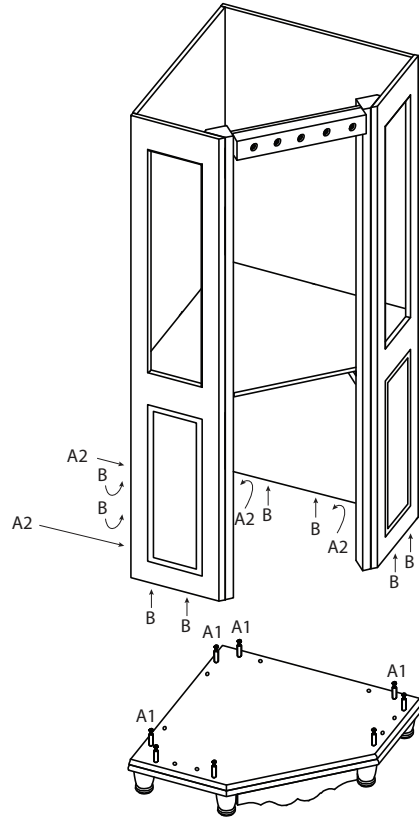
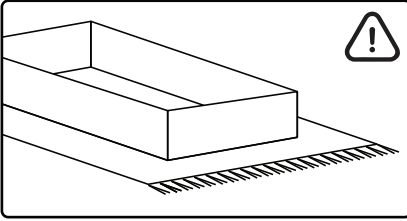
3


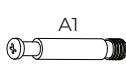


A  x12

F  x2

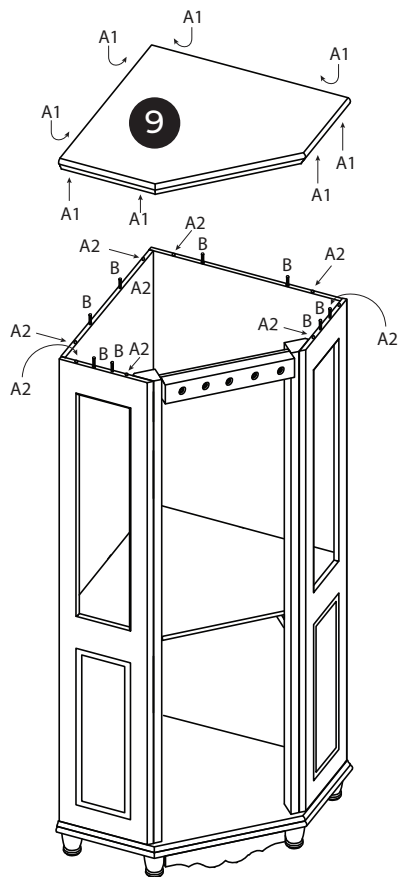
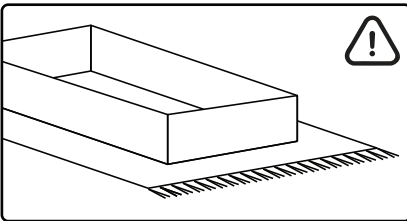
4


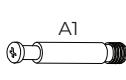


A   x8

B  x8

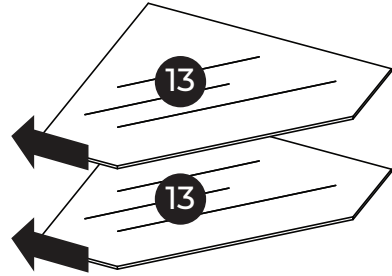
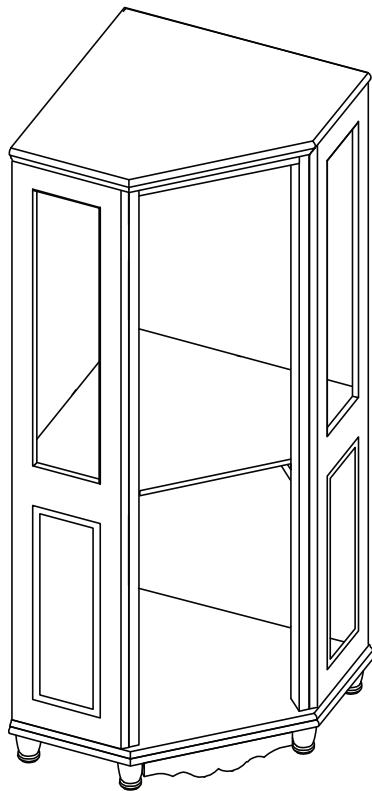
5



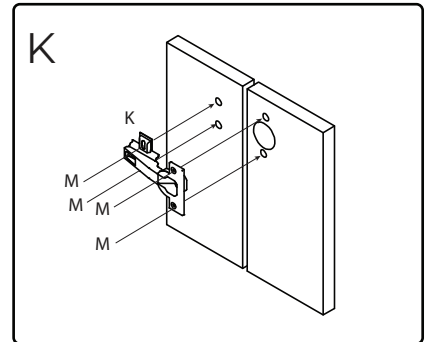
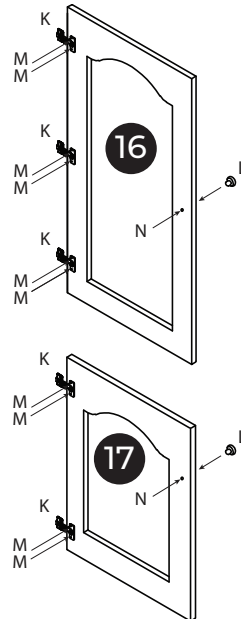
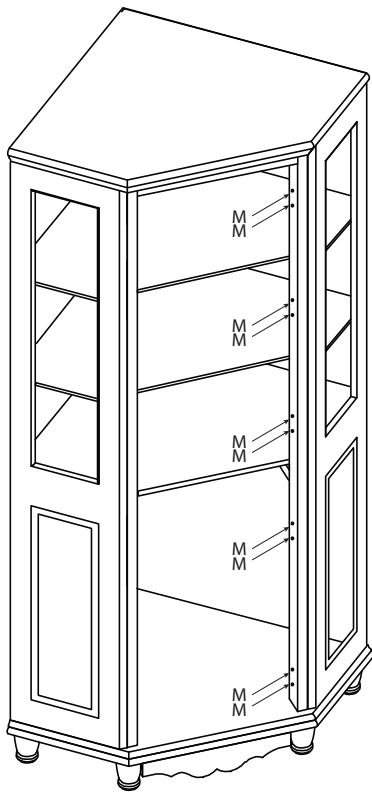
A   x8

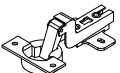
B  x8

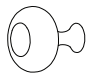
6



7



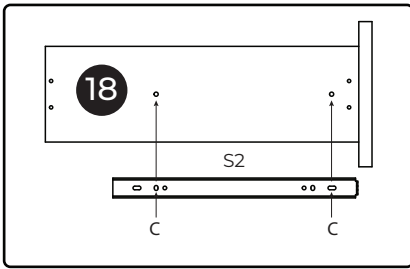
K  x5

L  x2

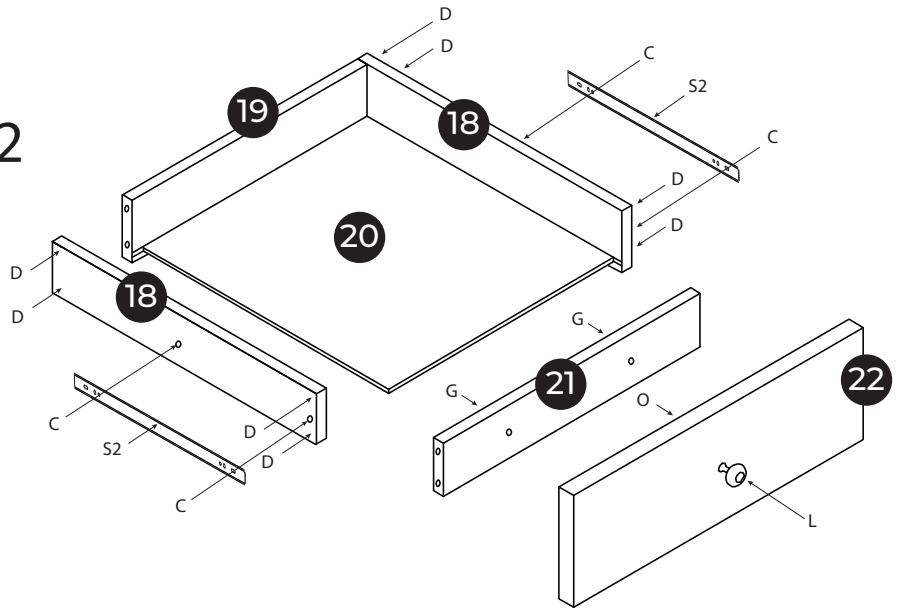
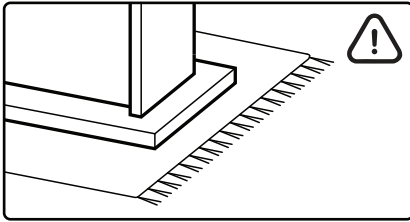
M  x20

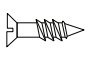
N  x2

8

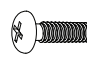


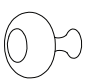
x2



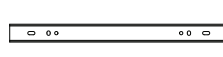
C  x4

D  x8

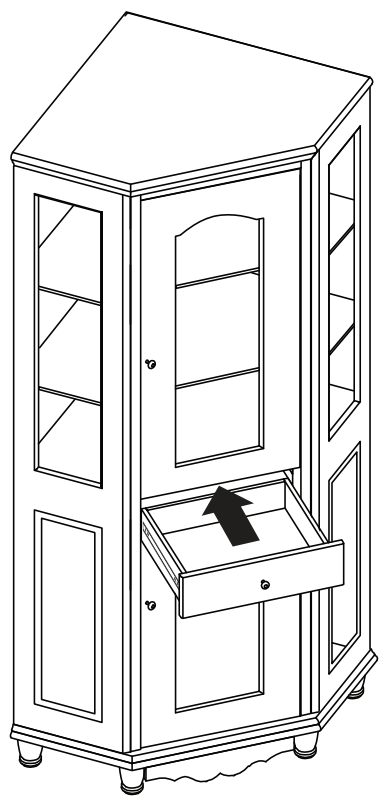
G  x2

L  x1

O  x1

S2  x2

9



10

