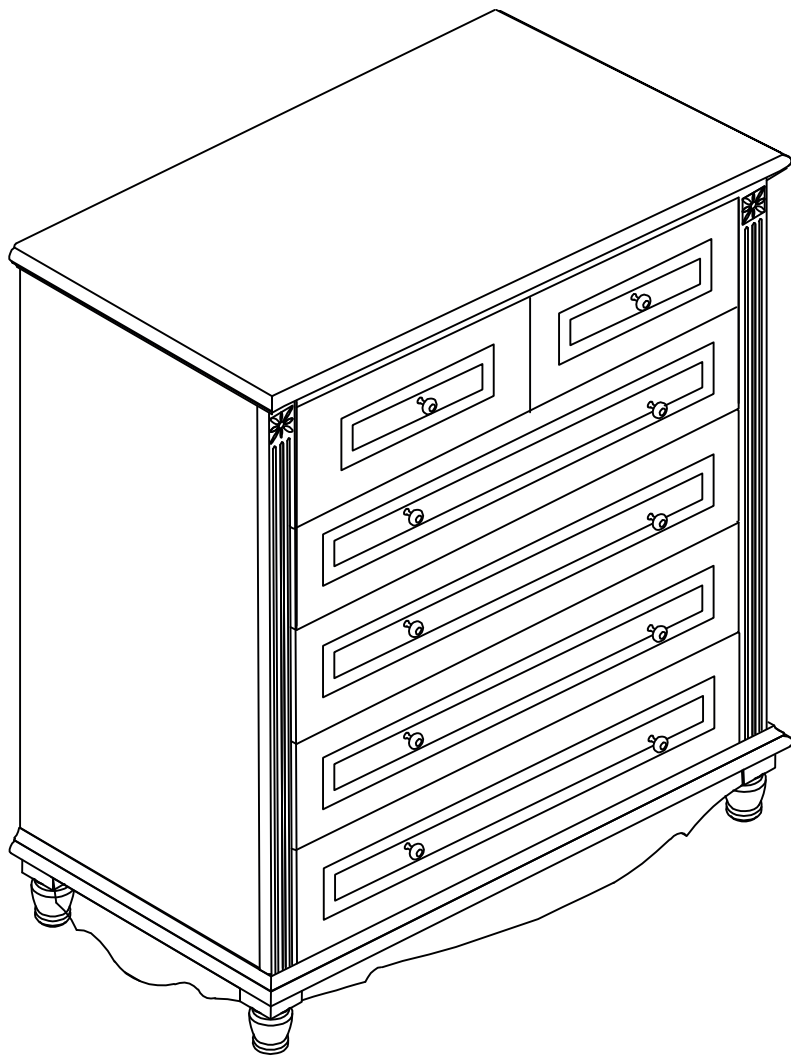
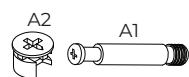
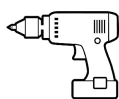
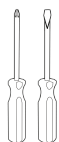
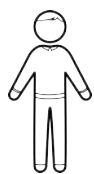
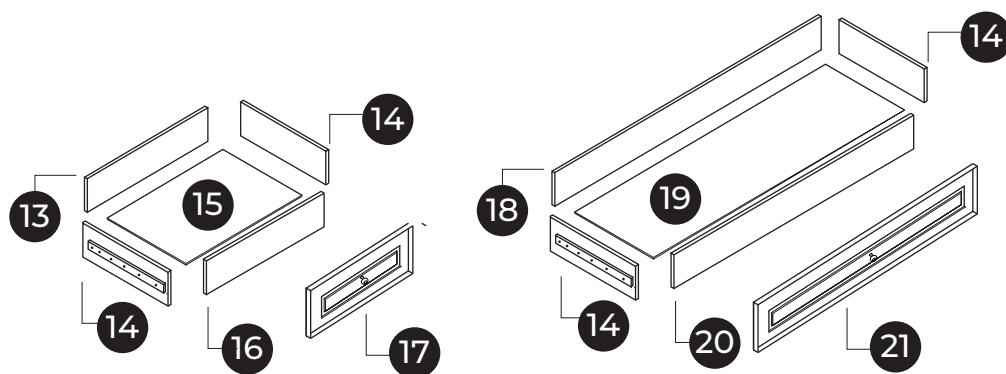
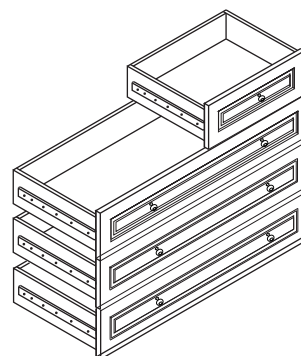
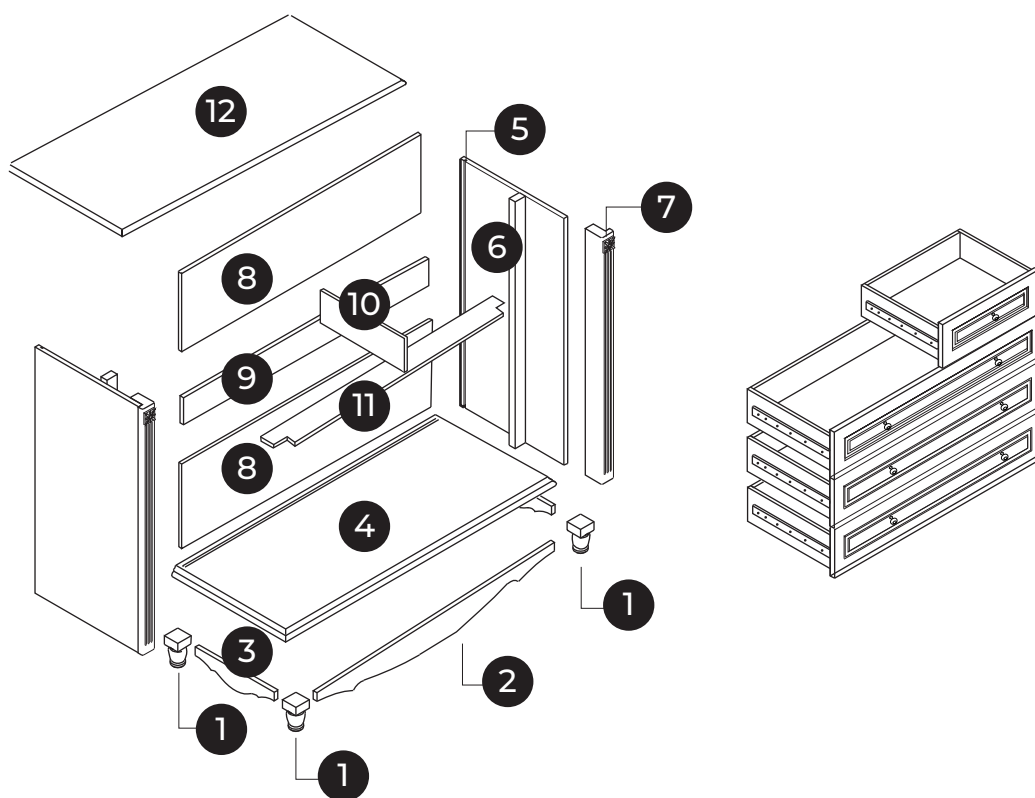


# 836-6B

1000 x 470 x 1180 mm



**BEMONDI**



**A** x31  
 Ø 15 mm



**B** x12  
 Ø 8 x 30 mm



**C** x24  
 Ø 3,5 x 12 mm



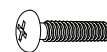
**D** x10  
 Ø 4 x 22 mm



**E** x16  
 Ø 6 x 45 mm



**F** x48  
 Ø 3,5 x 30 mm



**G** x16  
 Ø 6 x 20 mm



**H** x24  
 Ø 3,5 x 15 mm



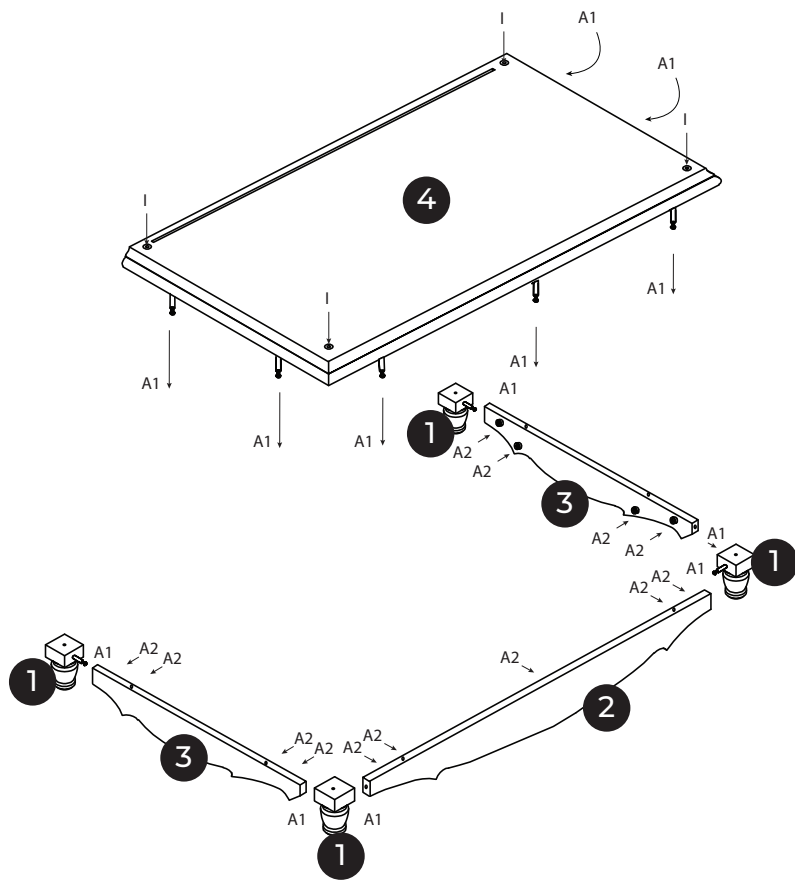
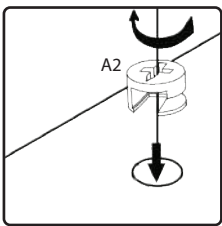
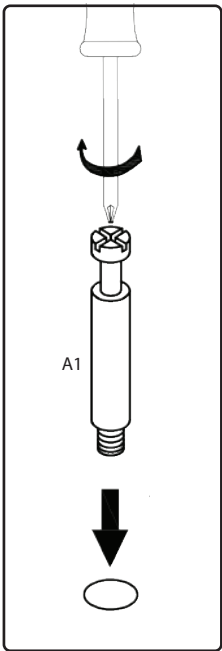
**I** x4  
 Ø 8 x 50 mm





**J** x10



**S** x12  
 300 x 35 mm

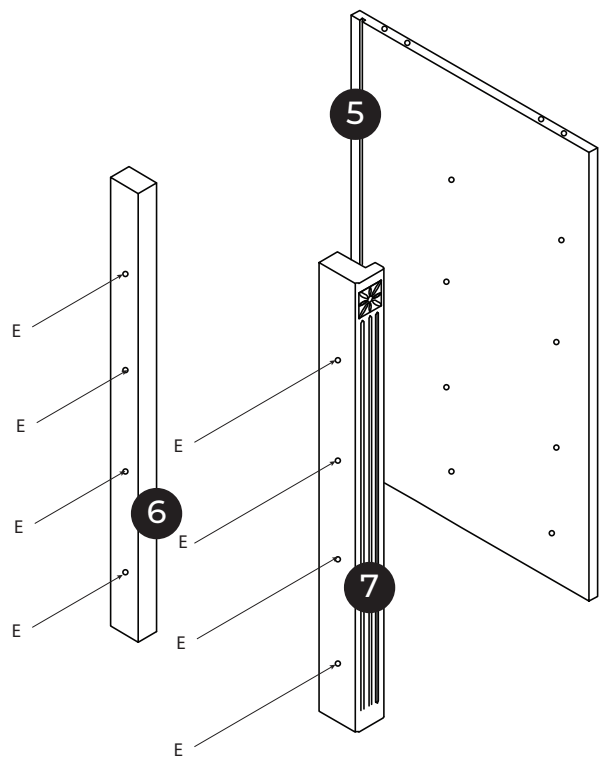


A   x13

I  x4

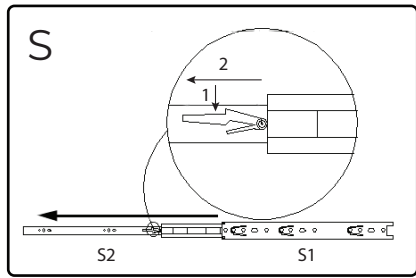
1

x2

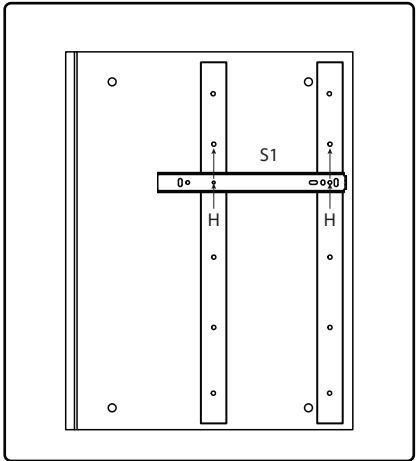


E  x16

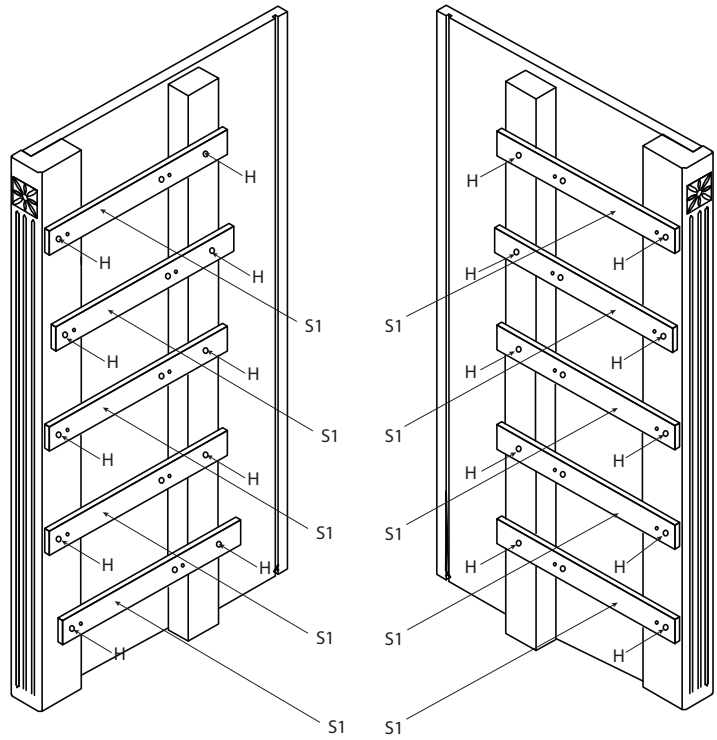
2




x12



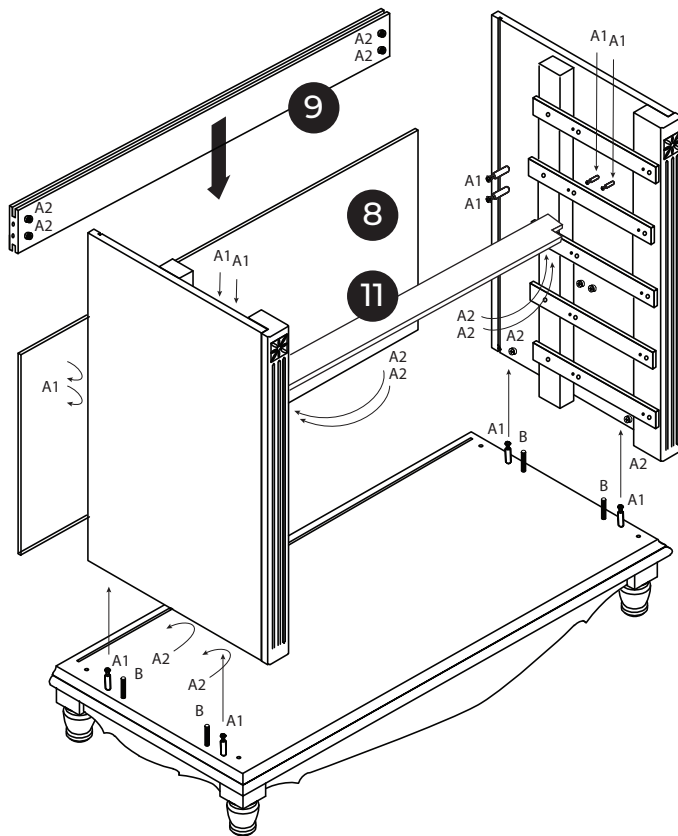
x10




H  x20

S1  x10

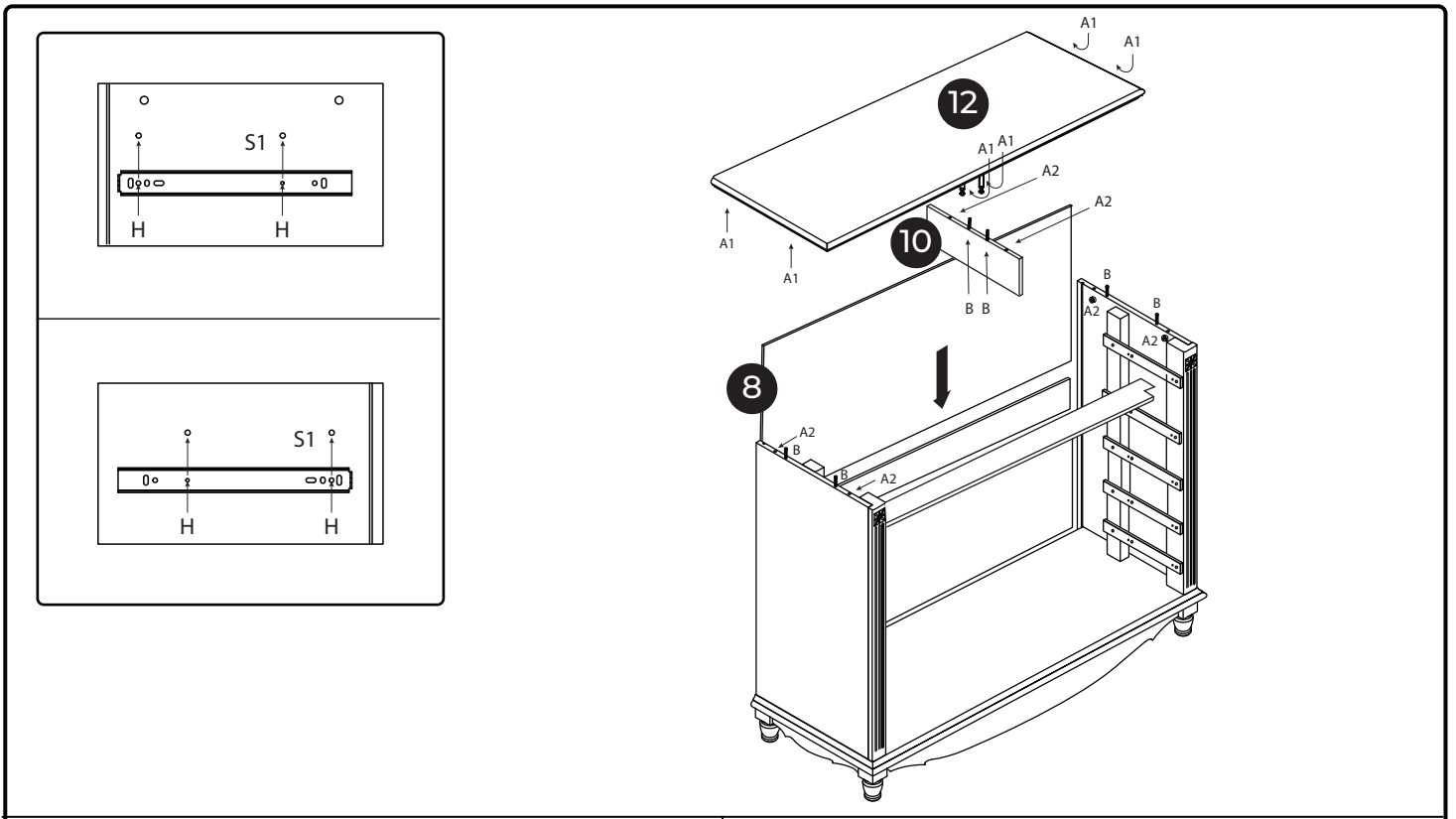
3


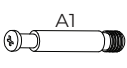

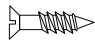
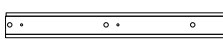


A  x12

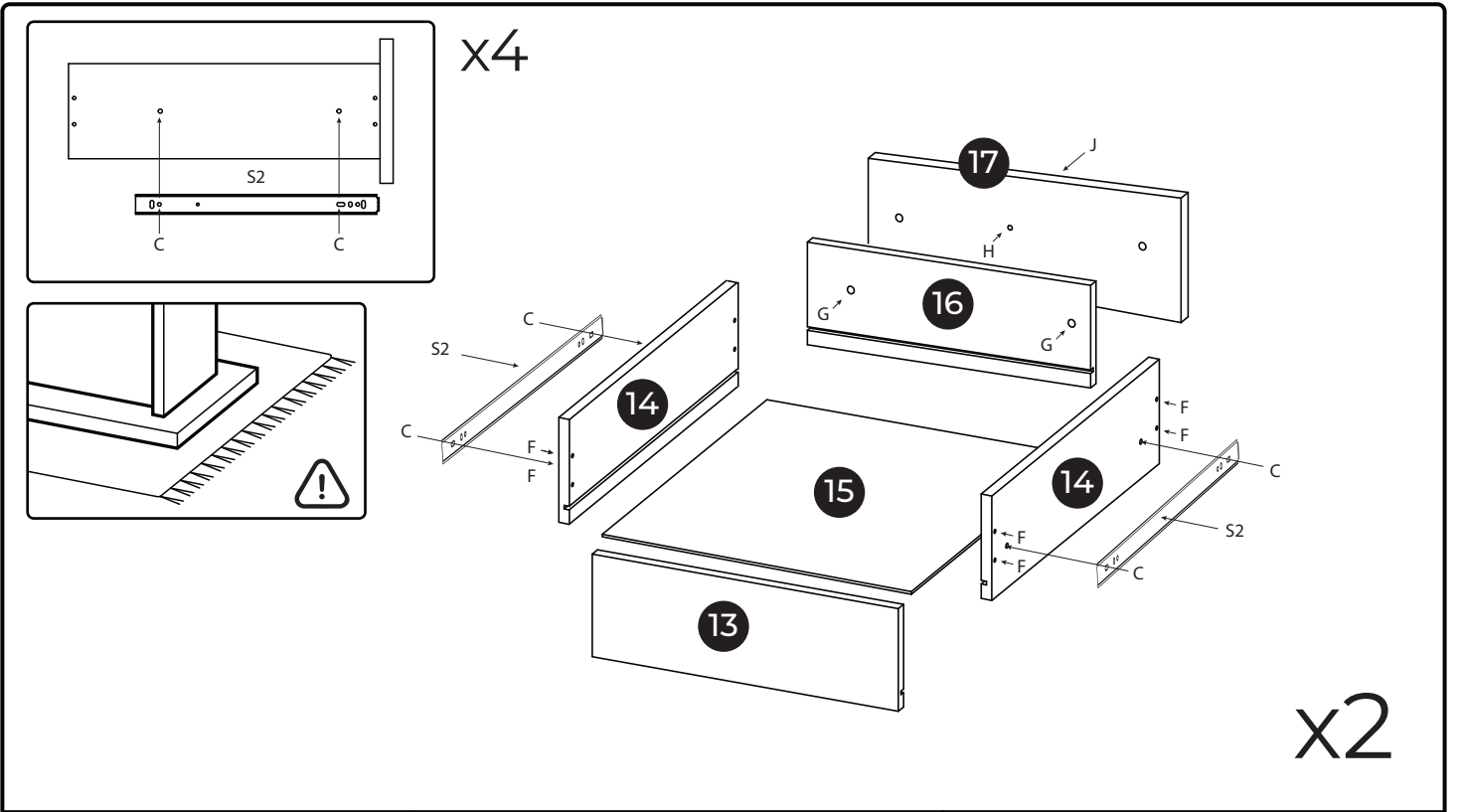
B  x4

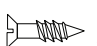

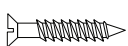
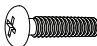

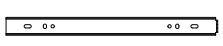
4



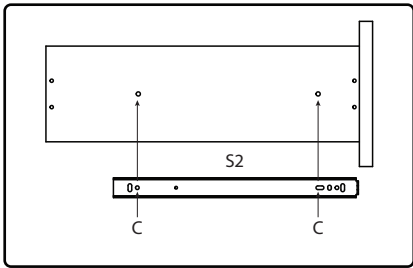
A	 	x6	B		x4
H		x4	S1		x2

**5**

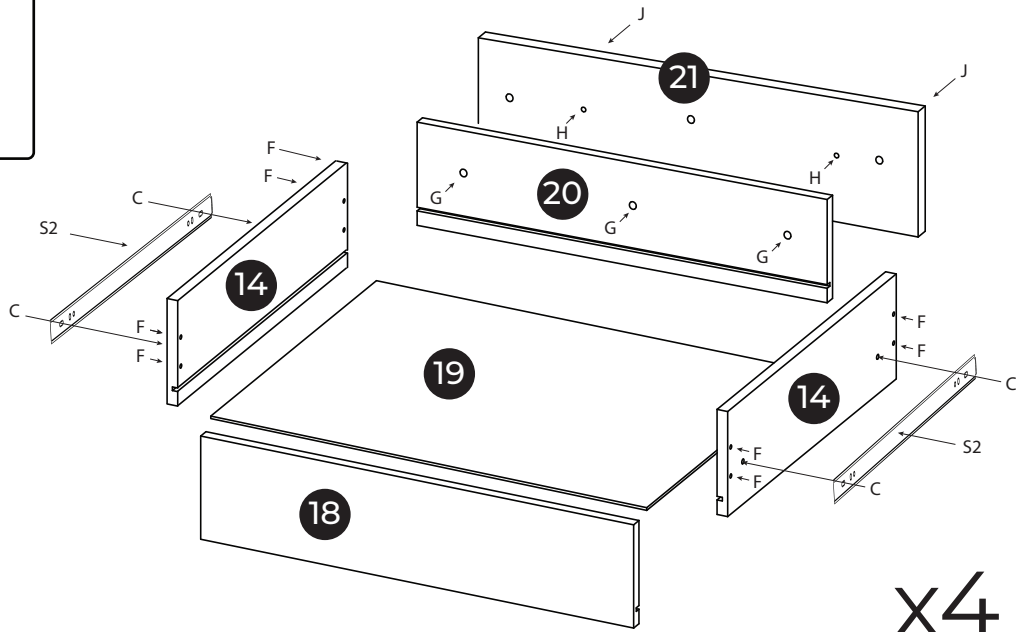
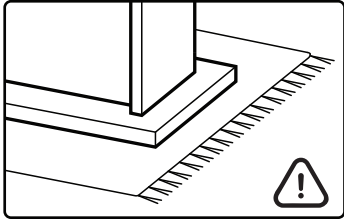


C		x8	D		x2	F		x16
G		x4	J		x2	S2		x4

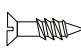
**6**

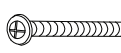


x8

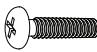


x4

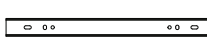
C  x16

D  x8

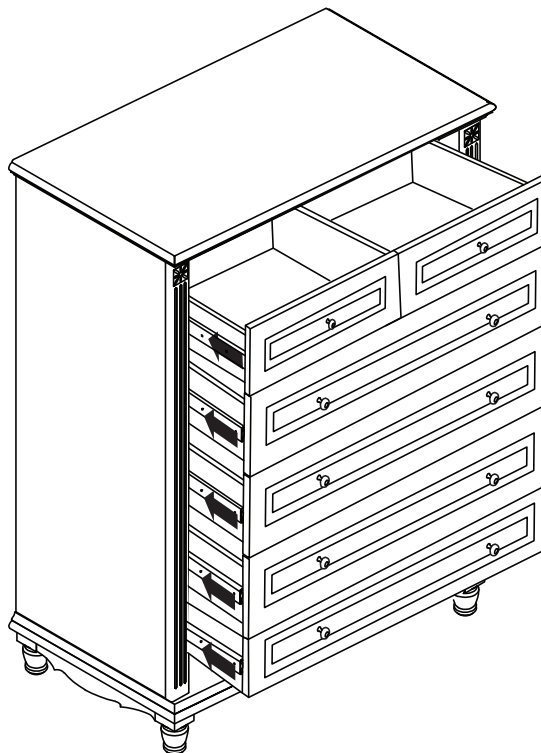
F  x32

G  x12

J  x8

S2  x8

7



8

