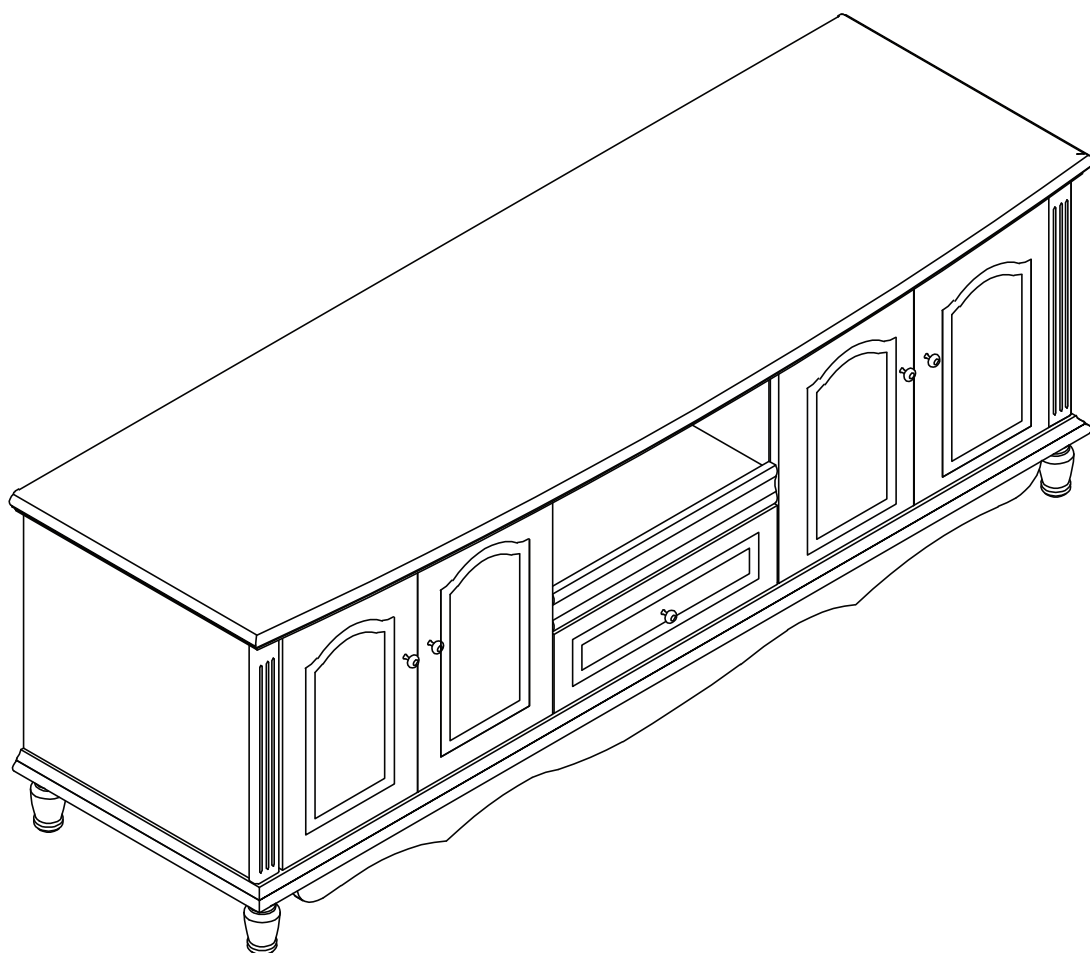
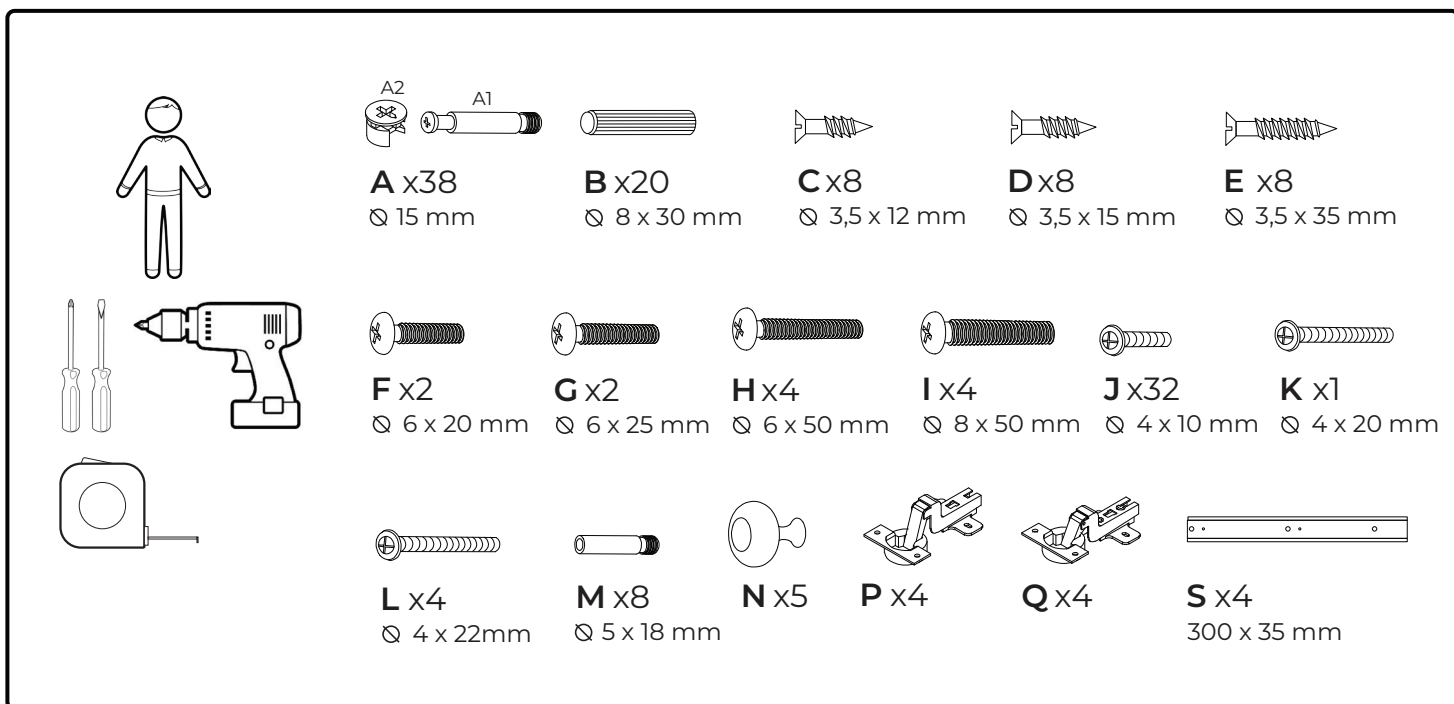
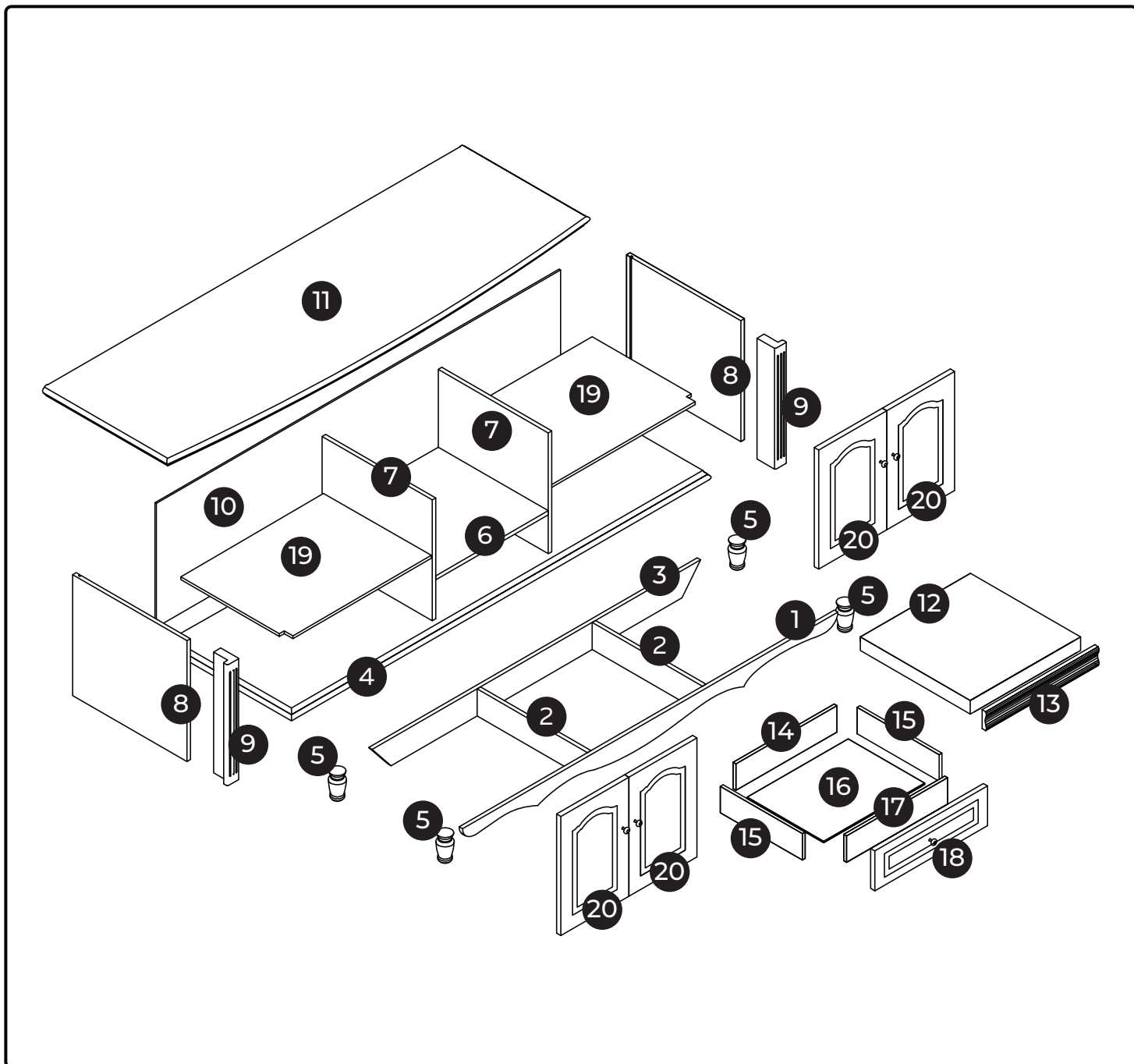


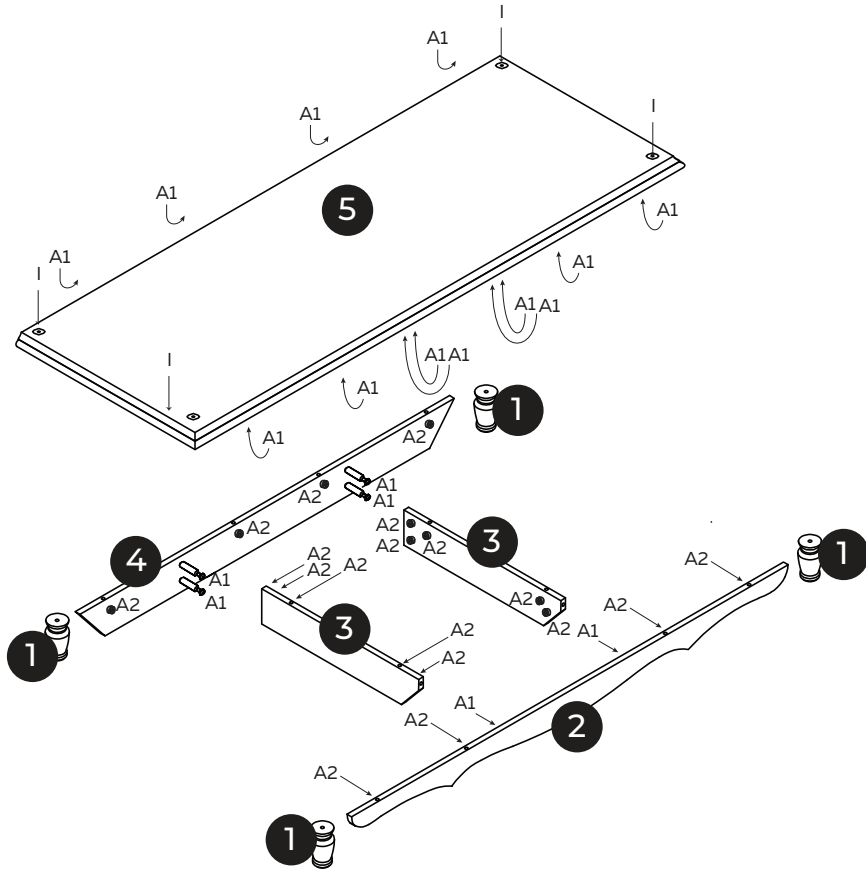
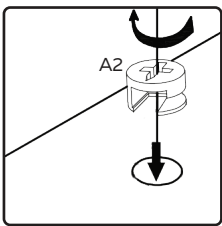
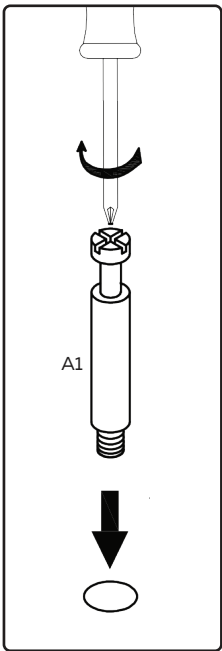
861



1800 x 580 x 620 mm



BEMONDI

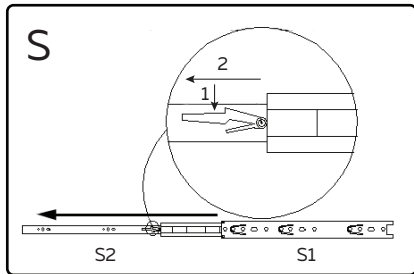




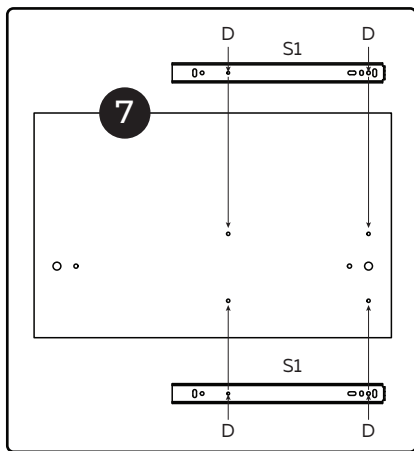
A   x18

I  x4

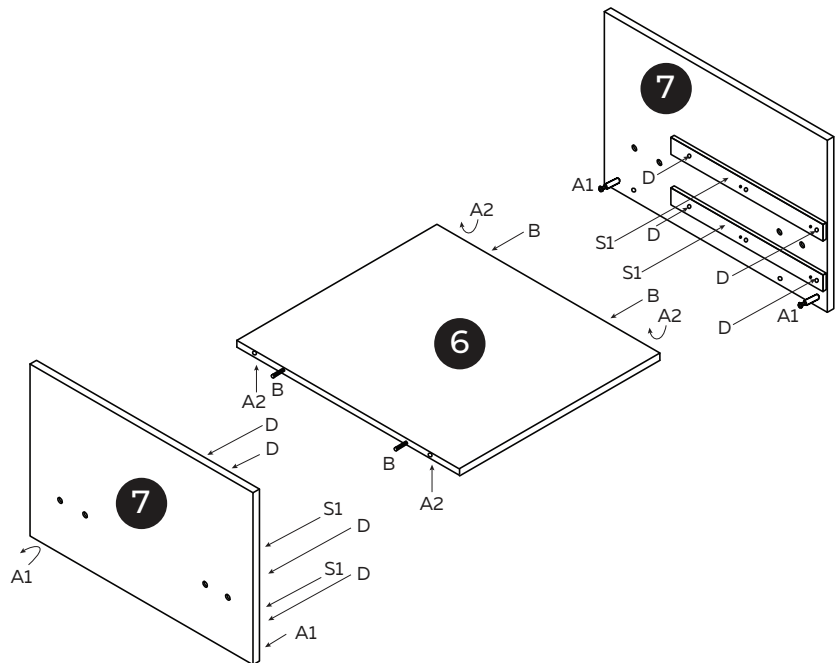
1





x4




x2



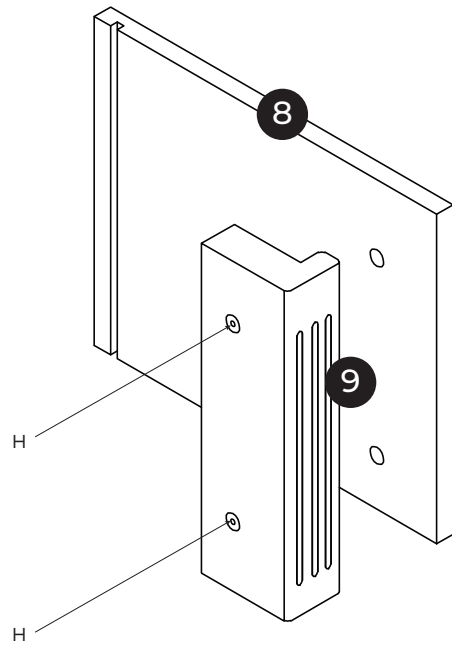
A   x4

B  x4

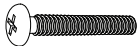
D  x8

S1  x4

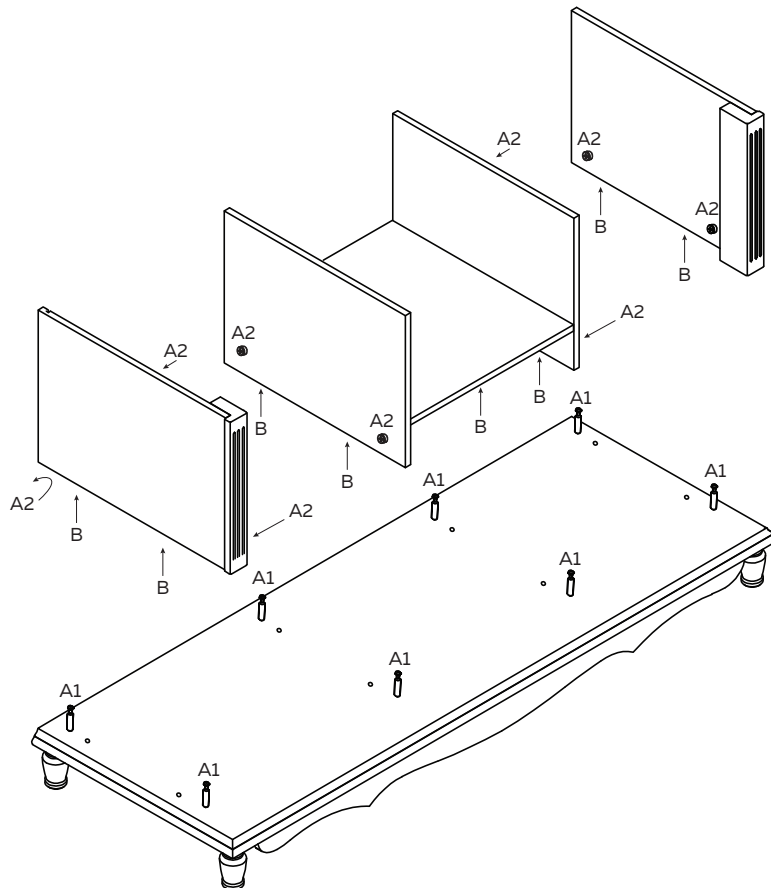
2


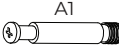


x2

H  x4

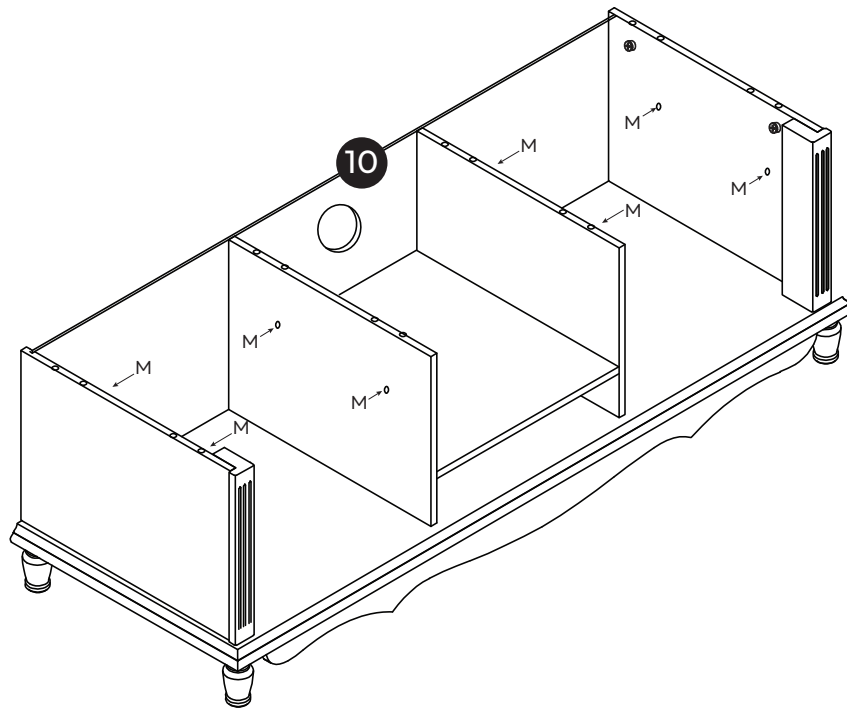
3

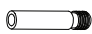


A   x8

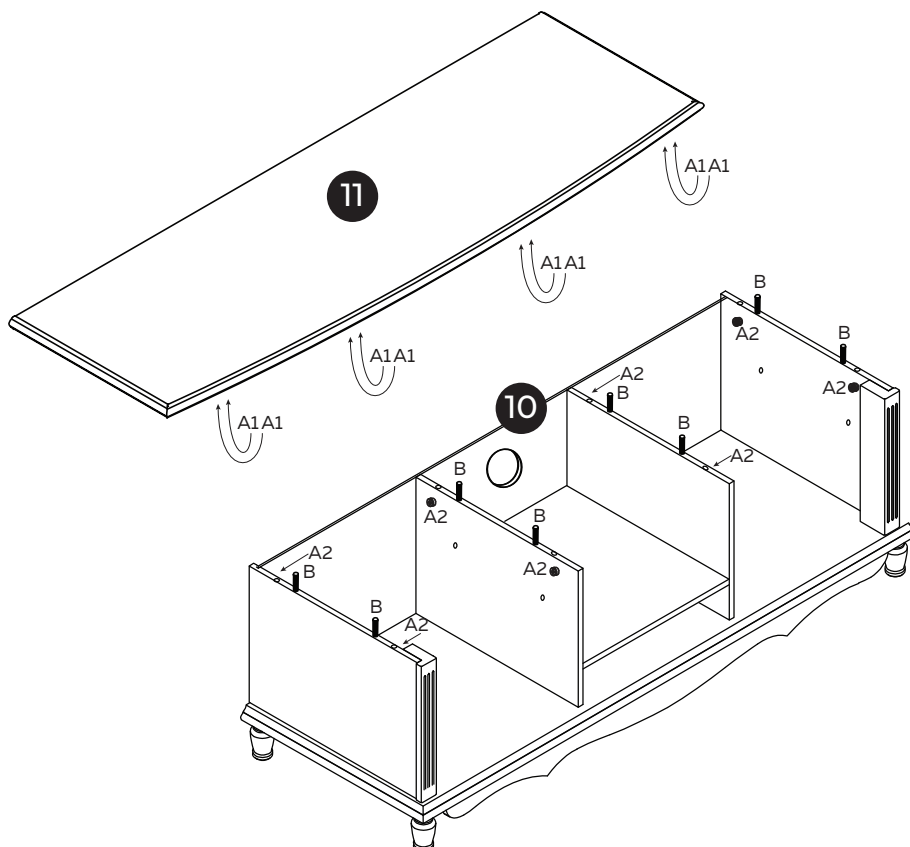
B  x8



4



M  x8

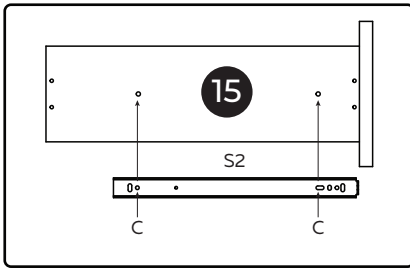
5



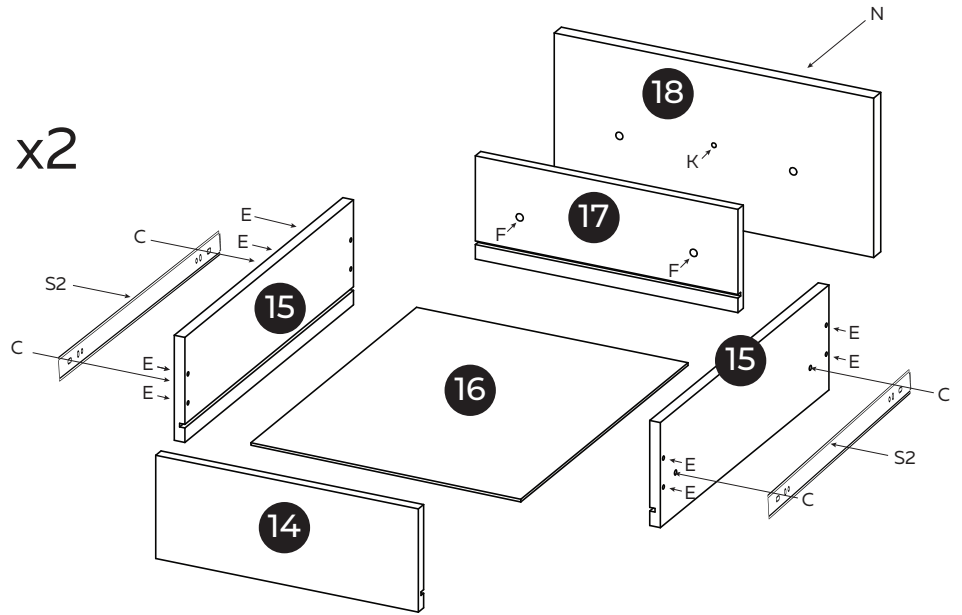
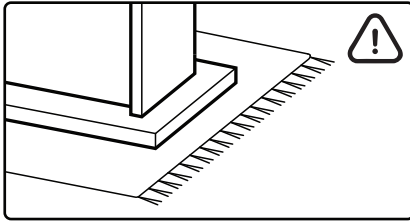
A  ^{A2}  ^{A1} x8

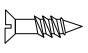
B  x8

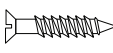
6

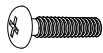


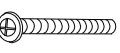
x2

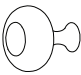



C  x4

E  x8

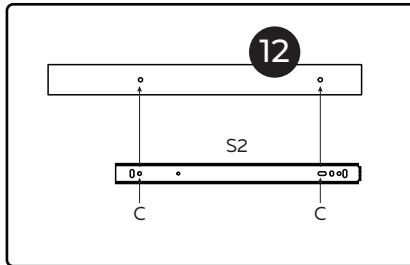
F  x2

K  x1

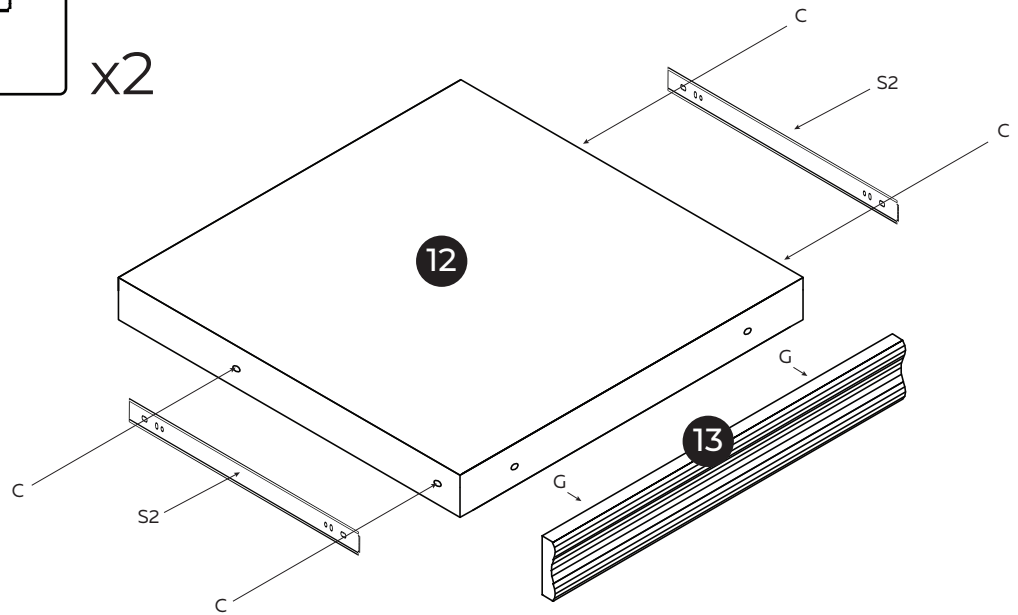
N  x1

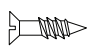
S2  x2

7



x2

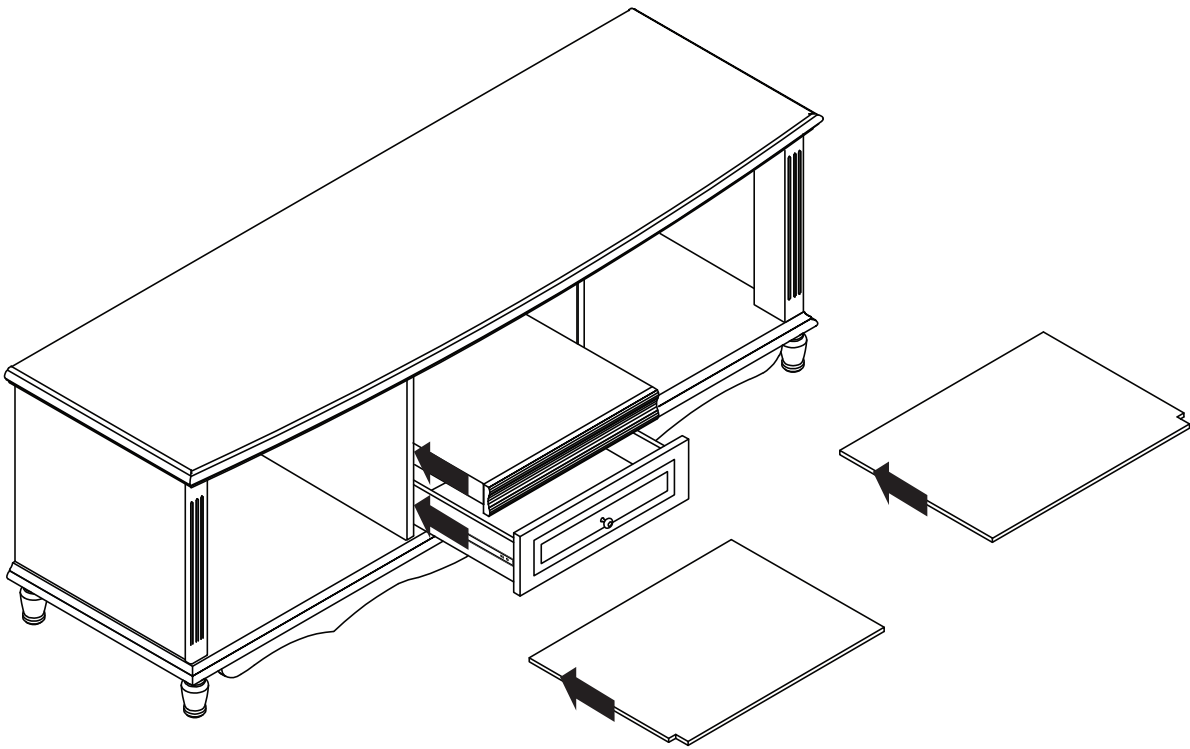


C  x4

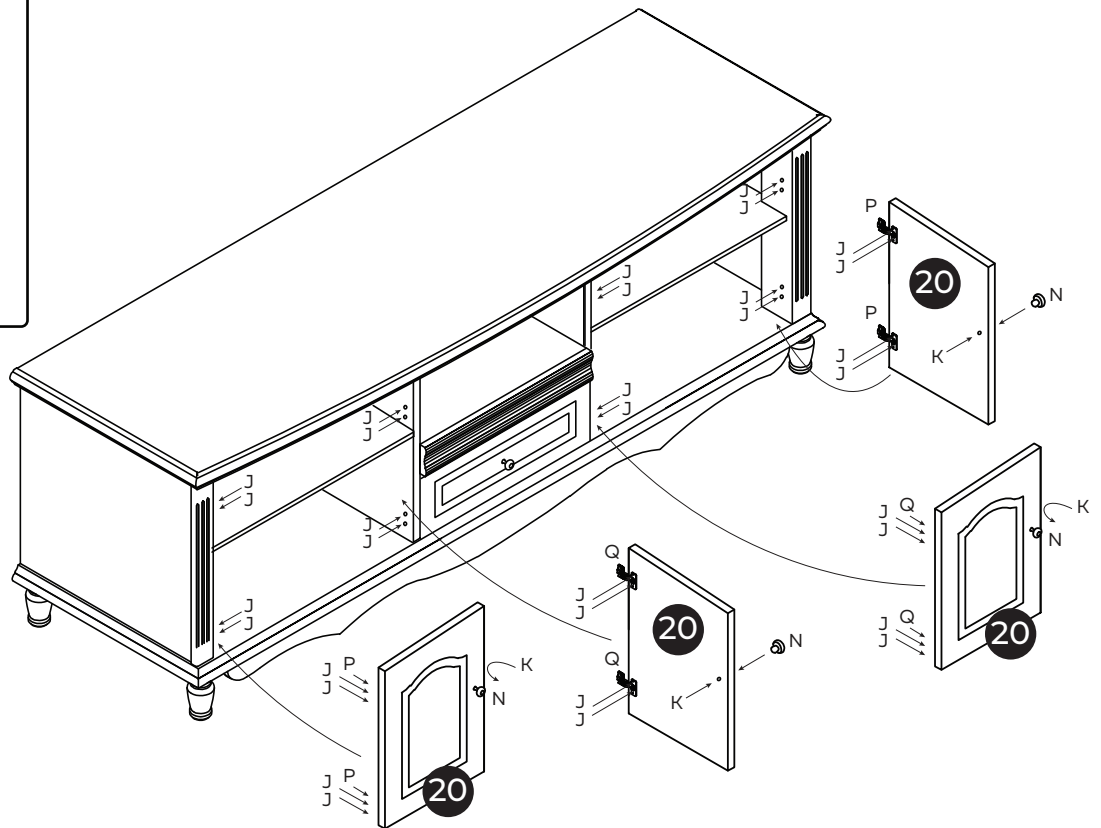
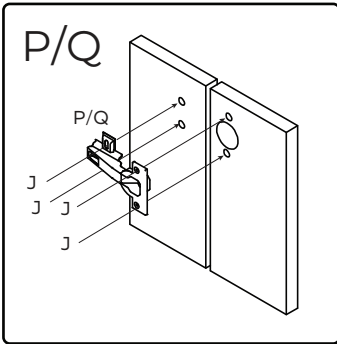
G  x2

S2  x2

8



9



J  x32

K  x4

N  x4

P  x4

Q  x4

10

